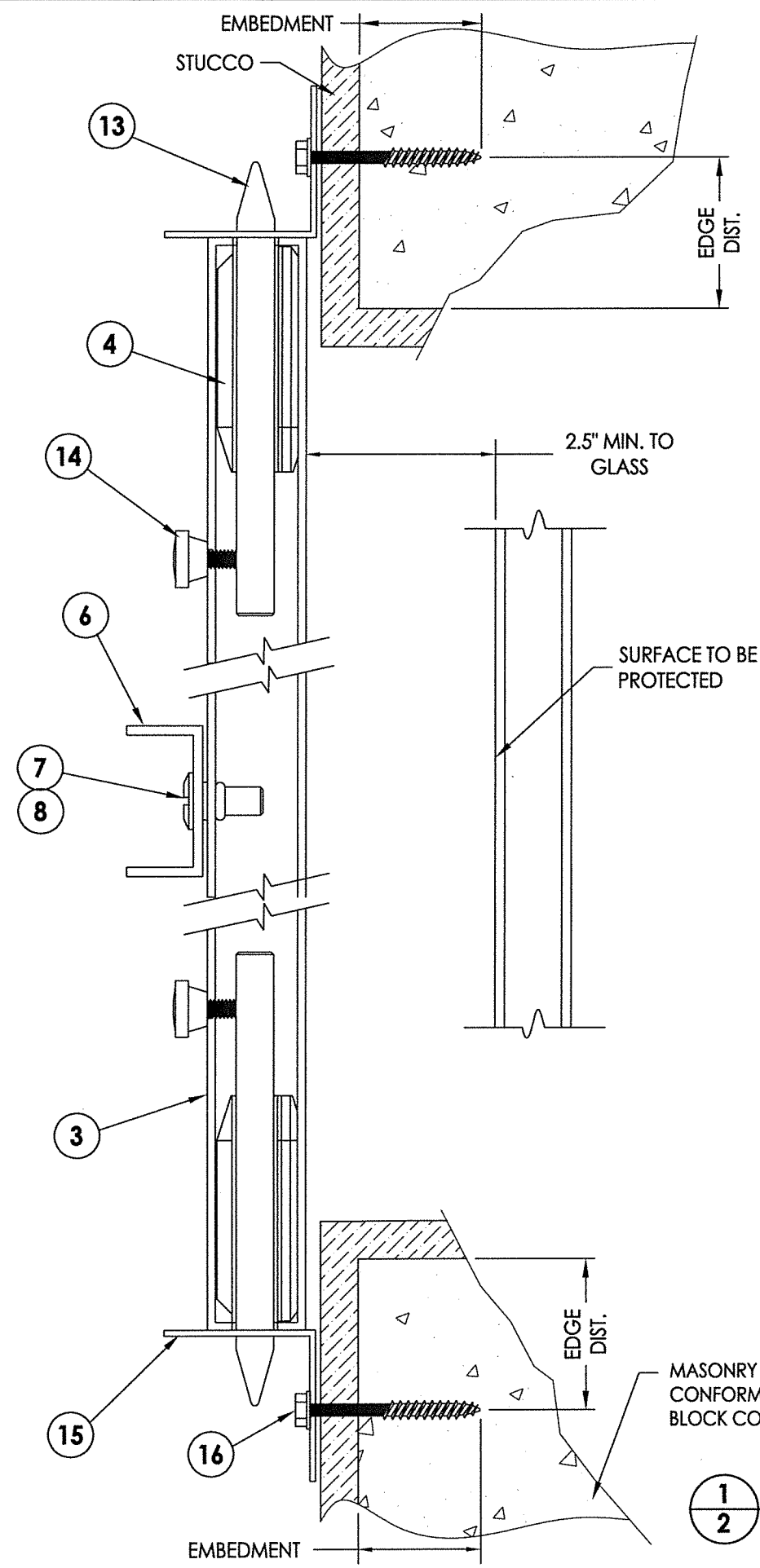
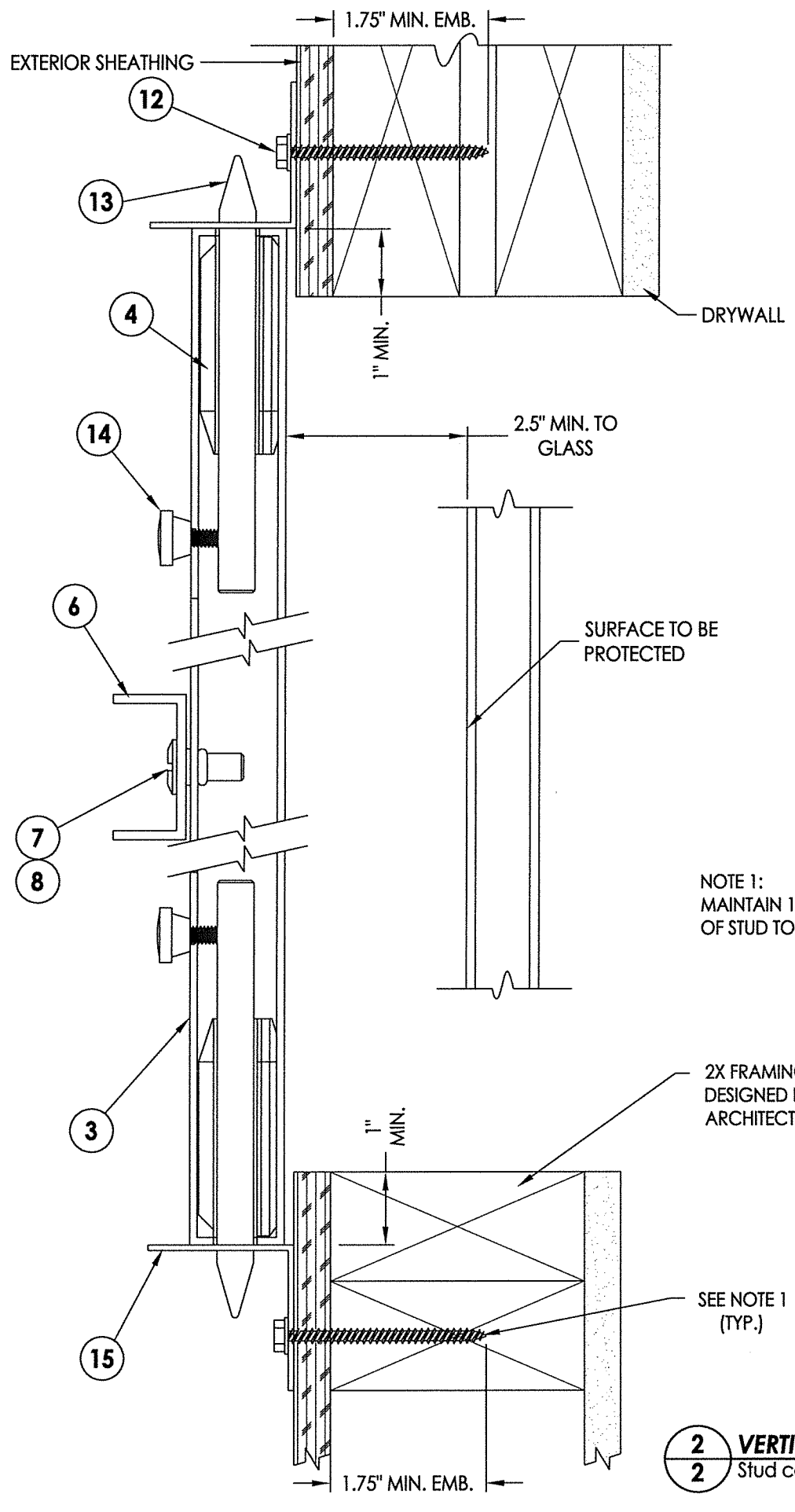


R:\Clients\Fortified (SEI)\A - Florida Product Approvals\FL-17474C - Drawings\FL-17474 (2020)\FL-17474.z.dwg, 2.2



1 VERTICAL CROSS SECTION
2 Masonry construction

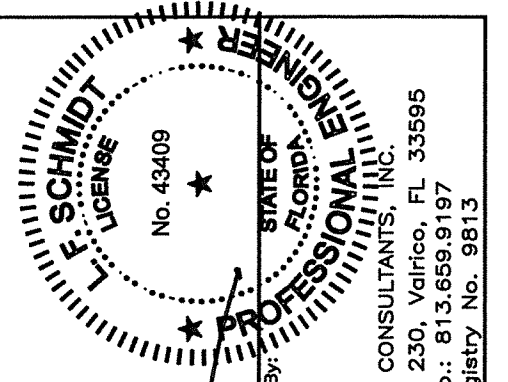


2 VERTICAL CROSS SECTION
2 Stud construction

NOTE 1:
MAINTAIN 1/2" MIN. EDGE DISTANCE TO EDGE
OF STUD TO PREVENT SPLITTING OF WOOD.

2X FRAMING (SG >= 0.55) TO BE
DESIGNED BY THE ENGINEER OR
ARCHITECT OF RECORD (TYP.).

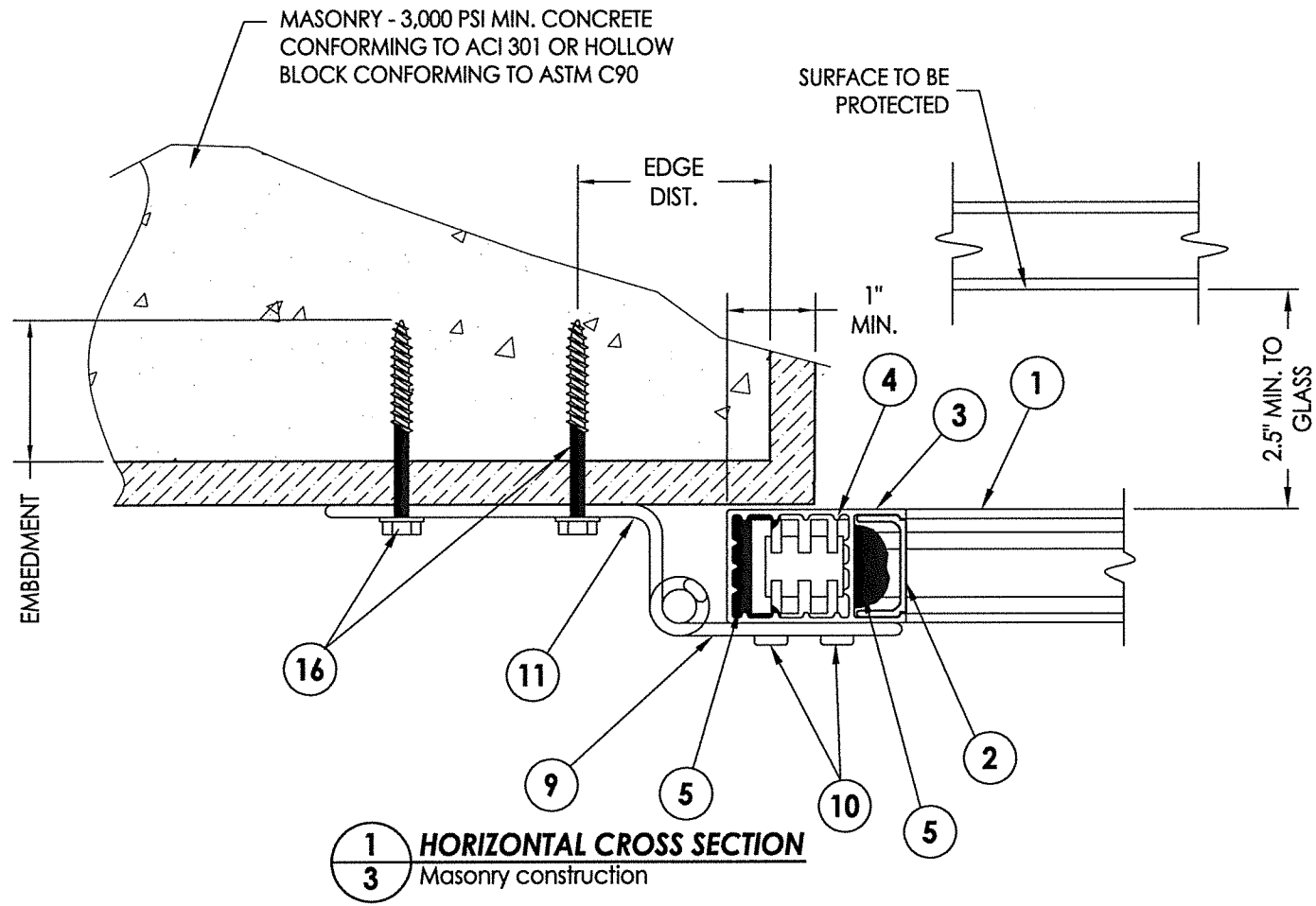
SEE NOTE 1
(TYP.)



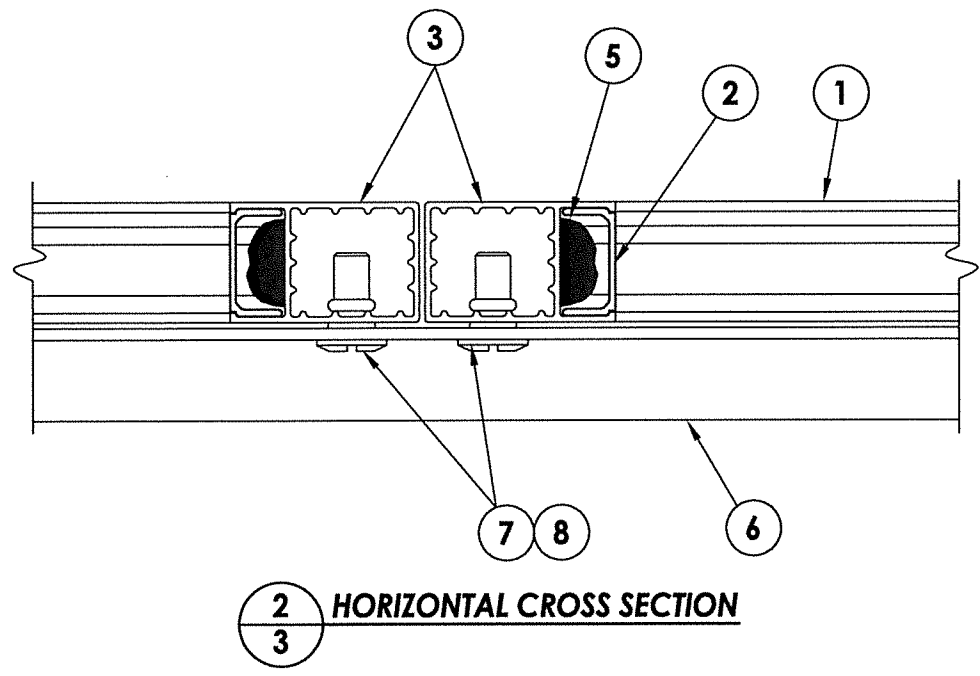
October 7, 2020
 Documents Prepared By:
 Lyndon F. Schmidt
 P.E. No. 43409
 R.W. BUILDING CONSULTANTS, INC.
 P.O. Box 230, Valrico, FL 33595
 Phone No.: 813.659.9197
 FBPE Registry No. 9813

PRODUCT:		EXTRUDED ALUMINUM COLONIAL HURRICANE SHUTTER PART OR ASSEMBLY:	
DATE:		2/05/15	
SCALE:		N.T.S.	
DWG. BY:		JK	
CHK. BY:		LFS	
DRAWING NO.:		FL-17474.2	
SHEET		2 OF 5	
REVISIONS		NO.	DATE
		1	10/05/20
			UPDATE TO 7TH ED. (2020) FBC
			LFS
			BY

R:\Clients\Fortified (SEI)\A - Florida Product Approvals\FL-17474 - Drawings\FL-17474 (2020)\FL-17474.2.dwg, 2.3

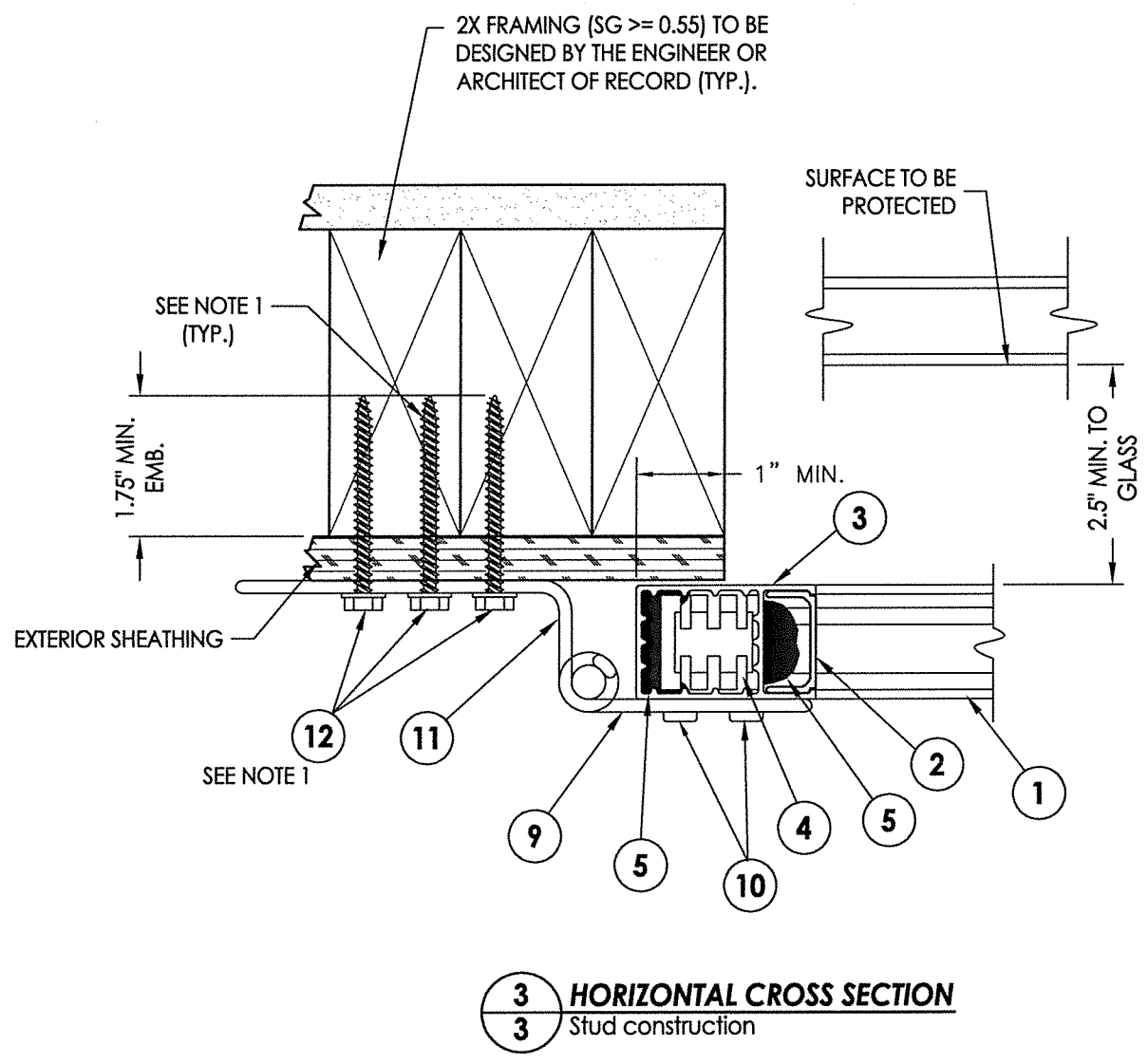


1 HORIZONTAL CROSS SECTION
3 Masonry construction

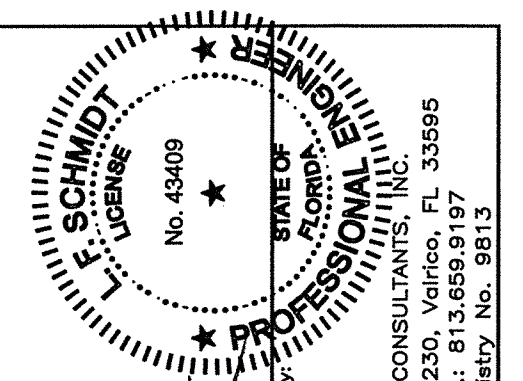


2 HORIZONTAL CROSS SECTION
3 Stud construction

NOTE 1:
MAINTAIN 1/2" MIN. EDGE DISTANCE TO EDGE OF STUD TO PREVENT SPLITTING OF WOOD.



3 HORIZONTAL CROSS SECTION
3 Stud construction

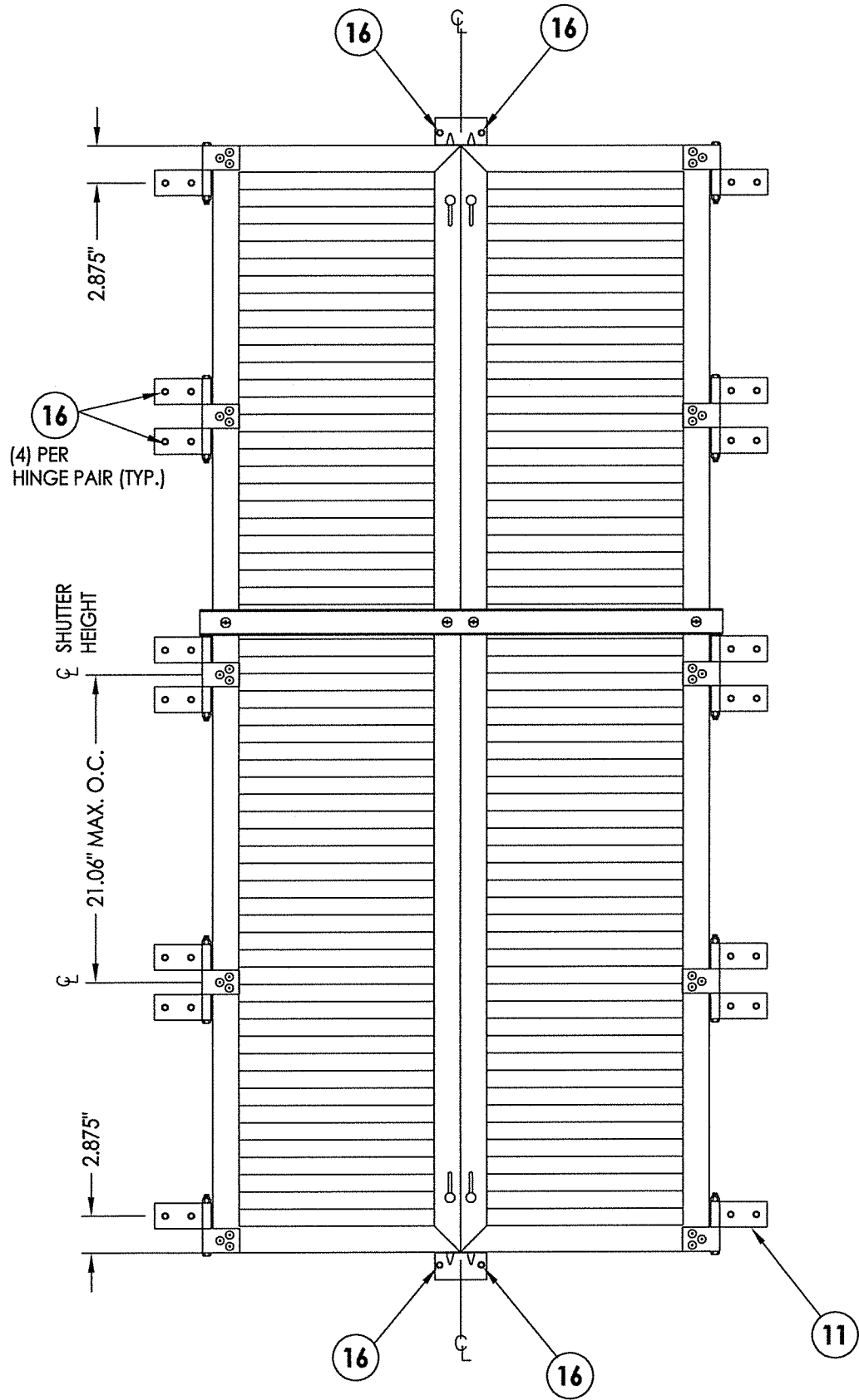


October 7, 2020
 Documents Prepared By:
 Lyndon F. Schmidt
 P.E. No. 43409
 R.W. BUILDING CONSULTANTS, INC.
 P.O. Box 230, Valrico, FL 33595
 Phone No.: 813.659.9197
 FBPE Registry No. 9813

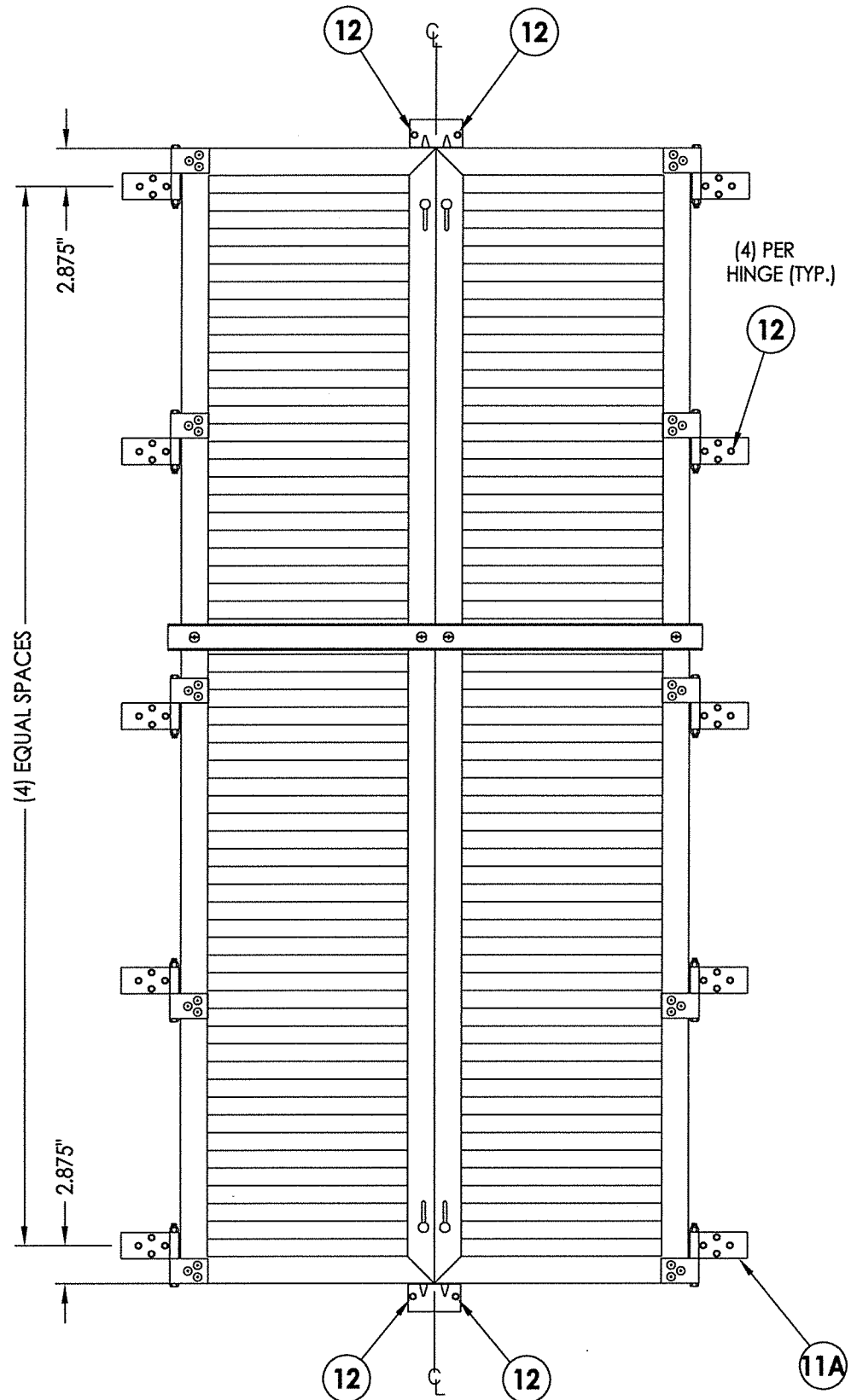
PRODUCT:		EXTRUDED ALUMINUM COLONIAL HURRICANE SHUTTER	
PART OR ASSEMBLY:		HORIZONTAL CROSS SECTIONS MASONRY & STUD CONSTRUCTION	
NO.	DATE	BY	REVISIONS
1	10/05/20	LFS	UPDATE TO 7TH ED. (2020) FBC
DATE:		2/05/15	
SCALE:		N.T.S.	
DWG. BY:		JK	
CHK. BY:		LFS	
DRAWING NO.:		FL-17474.2	
SHEET		3 OF 5	

© 2015 R.W. BUILDING CONSULTANTS INC.

R:\Clients\Fortified (SEI)\A - Florida Product Approvals\FL-17474C - Drawings\FL-17474 (2020)\FL-17474.2.dwg, 2.4

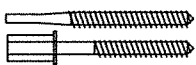
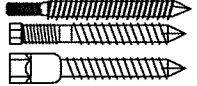
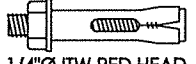
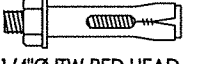
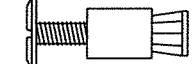
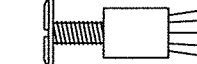



ANCHORING LOCATION
MASONRY CONSTRUCTION

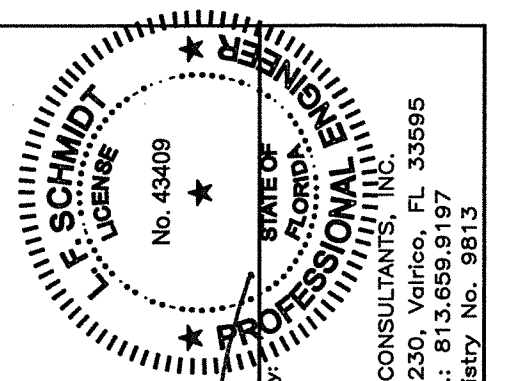


ANCHORING LOCATION
2X STUD CONSTRUCTION

16 MASONRY ANCHOR SCHEDULE

ANCHOR	ANCHOR
 1/4" TAPCON SG EM = 1.75" CL = 3" ED = 1.25" (3,295 PSI MIN. CONC.)	 1/4" ELCO/DeWALT PANELMATE MALE/FEMALE EM = 1.25" CL = 3" ED = 3" JAMB ONLY
 1/4" ITW RED HEAD DYNABOLT SLEEVE ANCHOR EM = 1.125" CL = 3" ED = 1.5" (3000 PSI MIN. CONC.)	 1/4" ITW RED HEAD DYNABOLT SLEEVE ANCHOR EM = 1.125" CL = 3" ED = 1.5" JAMB ONLY
 1/4" ALL POINTS SOLID-SET ANCHOR EM = 0.875" CL = 3" ED = 2" (3,000 PSI MIN. CONC.)	 1/4" ALL POINTS SOLID-SET ANCHOR EM = 0.875" CL = 3" ED = 2" HEAD, SILL OR JAMB
 1/4" ITW TAPCON EM = 1.75" CL = 3" ED = 4" (3,000 PSI MIN. CONC.)	

EM = MINIMUM EMBEDMENT (PENETRATION)
 CL = MINIMUM CENTER TO CENTER ANCHOR SPACING
 ED = MINIMUM EDGE DISTANCE

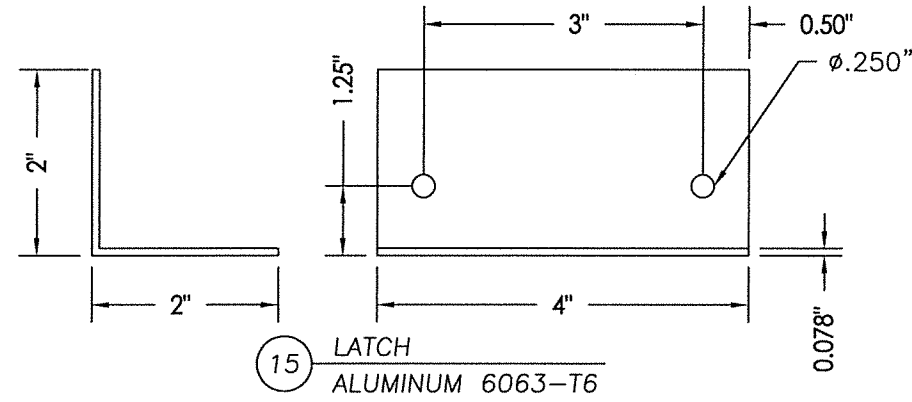


October 7, 2020
 Documents Prepared By:
 Lyndon F. Schmidt
 P.E. No. 43409
 R.W. BUILDING CONSULTANTS, INC.
 P.O. Box 230, Valrico, FL 33595
 Phone No.: 813.659.9197
 FBPE Registry No. 9813

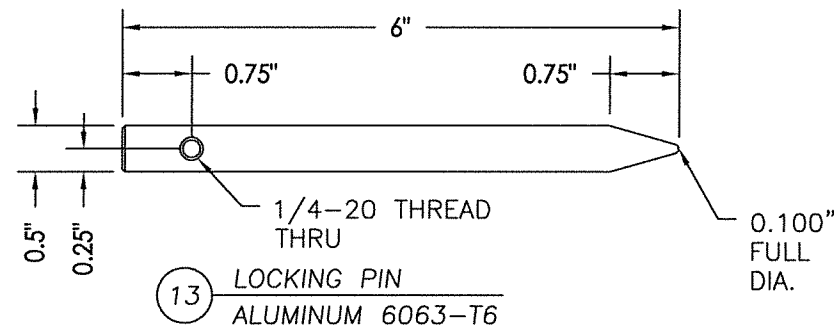
PRODUCT:	EXTRUDED ALUMINUM COLONIAL HURRICANE SHUTTER	
PART OR ASSEMBLY:	ANCHORING LOCATIONS MASONRY & STUD CONSTRUCTION	
NO.	DATE	BY
1	10/05/20	LFS
UPDATE TO 7TH ED. (2020) FBC		
REVISIONS		
DATE:	2/05/15	
SCALE:	N.T.S.	
DWG. BY:	JK	
CHK. BY:	LFS	
DRAWING NO.:	FL-17474.2	
SHEET	4	OF 5

R:\Clients\Fortified (SEI)\A - Florida Product Approvals\FL-17474\C - Drawings\FL-17474 (2020)\FL-17474.2.dwg, 2.5

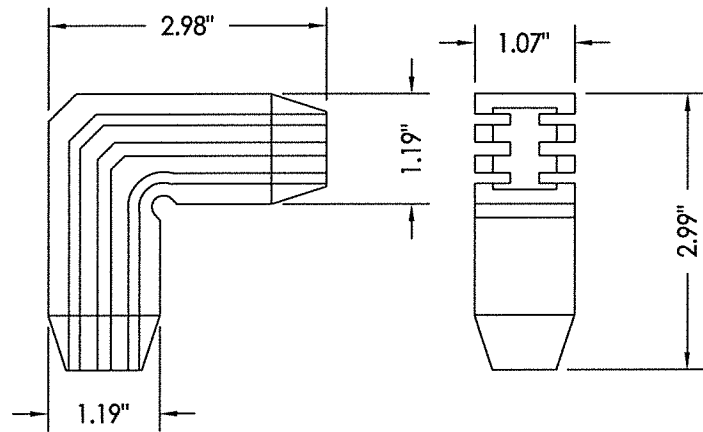
BILL OF MATERIALS		
1	LOUVER 6063-T6 0.060"	ALUM.
2	LOUVER/INSERT 6063-T6 0.060"	ALUM.
3	STILE/RAIL 6063-T6 0.060"	ALUM.
4	NYLON CORNER KEY	NYLON
5	STRUCTURAL ADHESIVE	-
6	STORM BAR 6063-T6	ALUM.
7	1/4-20 X 1" SIDEWALK BOLT	STEEL
8	1/4-20 RIV-NUT	ALUM.
9	FLAT HINGE	ALUM.
10	3/16" DIA. POP RIVET	ALUM.
11	SINGLE HINGE MASONRY	ALUM.
11A	SINGLE HINGE WOOD	ALUM.
12	#12 X 2-1/2" HWH SHEET METAL SCREW	STEEL
13	LOCKING PIN	ALUM.
14	THUMB SCREW	STEEL
15	LATCH	ALUM.
16	ANCHOR - SEE MASONRY ANCHOR SCHEDULE	STEEL



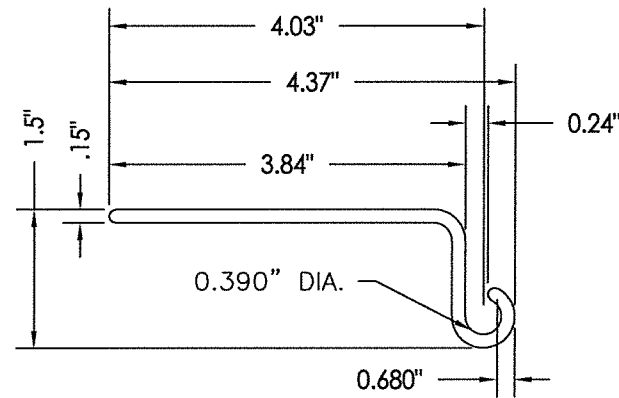
15 LATCH
ALUMINUM 6063-T6



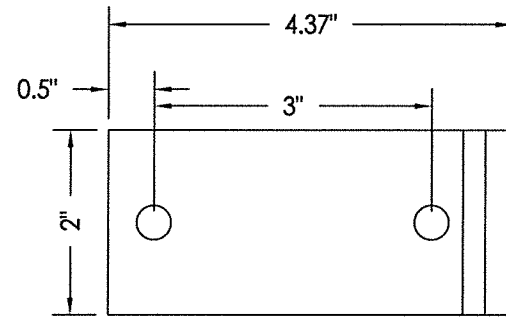
13 LOCKING PIN
ALUMINUM 6063-T6



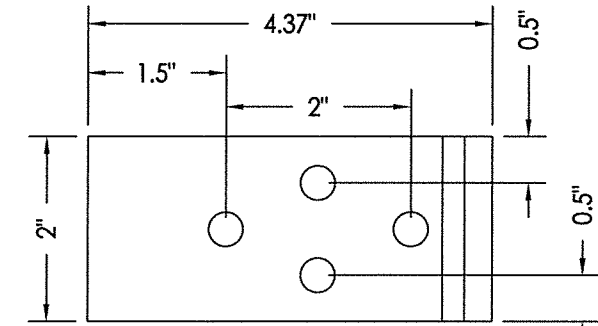
4 NYLON CORNER KEY



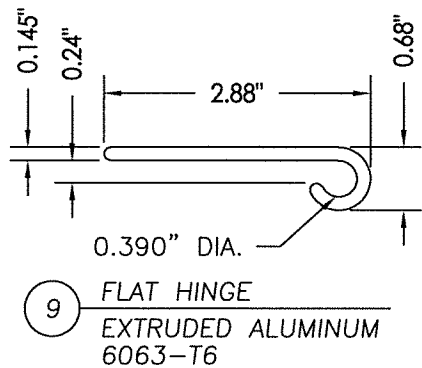
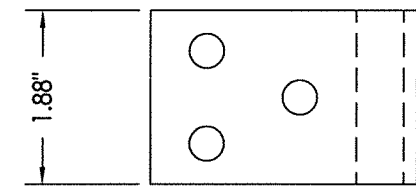
11 SINGLE HINGE
EXTRUDED ALUMINUM 6063-T6



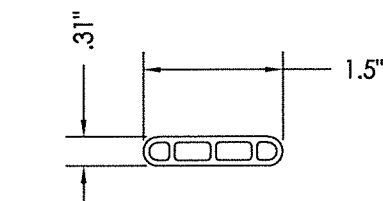
11 SINGLE HINGE MASONRY
EXTRUDED ALUMINUM 6063-T6



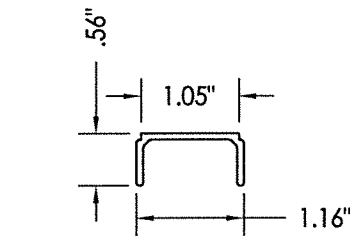
11A SINGLE HINGE WOOD
EXTRUDED ALUMINUM 6063-T6



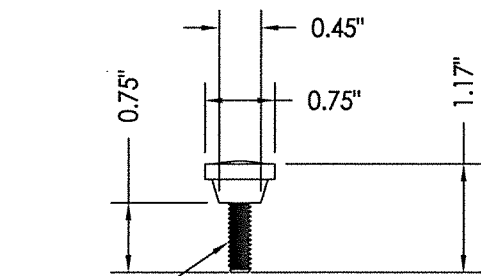
9 FLAT HINGE
EXTRUDED ALUMINUM 6063-T6



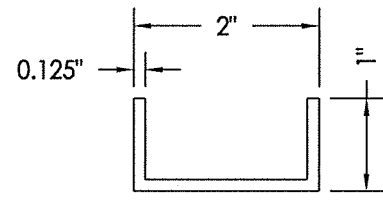
1 LOUVER
EXTRUDED ALUMINUM 6063-T6
0.060" TYP. WALL THK.



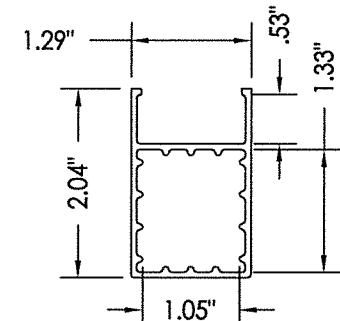
2 LOUVER/INSERT
EXTRUDED ALUMINUM 6063-T6
0.060" TYP. WALL THK.



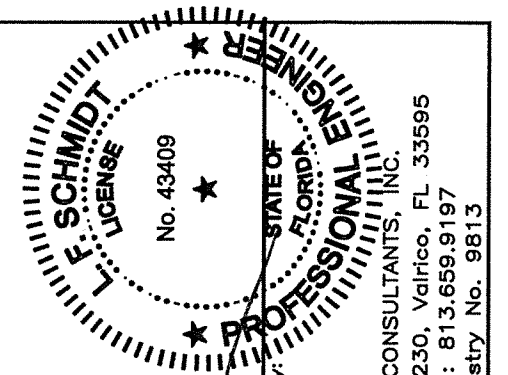
14 THUMB SCREW
STEEL



6 STORM BAR
EXTRUDED ALUMINUM 6063-T6



3 STILE/RAIL
EXTRUDED ALUMINUM 6063-T6
0.060" TYP. WALL THK.



October 7, 2020
Documents Prepared By:
Lyndon F. Schmidt
P.E. No. 43409
R.W. BUILDING CONSULTANTS, INC.
P.O. Box 230, Valrico, FL 33595
Phone No.: 813.659.9197
FBPE Registry No. 9813

PRODUCT:		EXTRUDED ALUMINUM COLONIAL HURRICANE SHUTTER	
PART OR ASSEMBLY:		BILL OF MATERIALS & COMPONENTS	
NO.	DATE	BY	REVISIONS
1	10/05/20	FBC	UPDATE TO 7TH ED. (2020)
		LFS	
DATE: 2/05/15			
SCALE: N.T.S.			
DWG. BY: JK			
CHK. BY: LFS			
DRAWING NO.: 17474.2			
SHEET 5 OF 5			

© 2015 R.W. BUILDING CONSULTANTS INC.