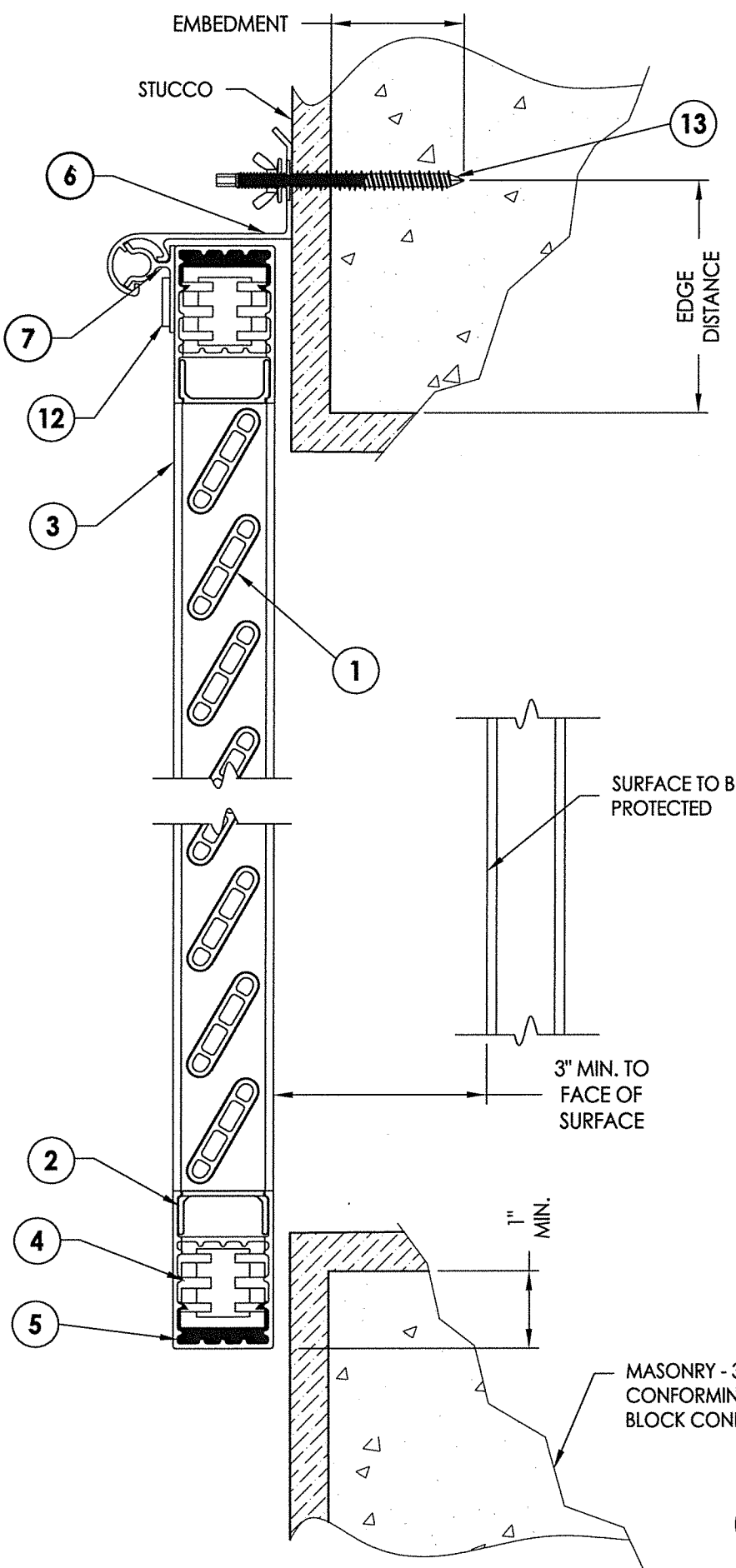
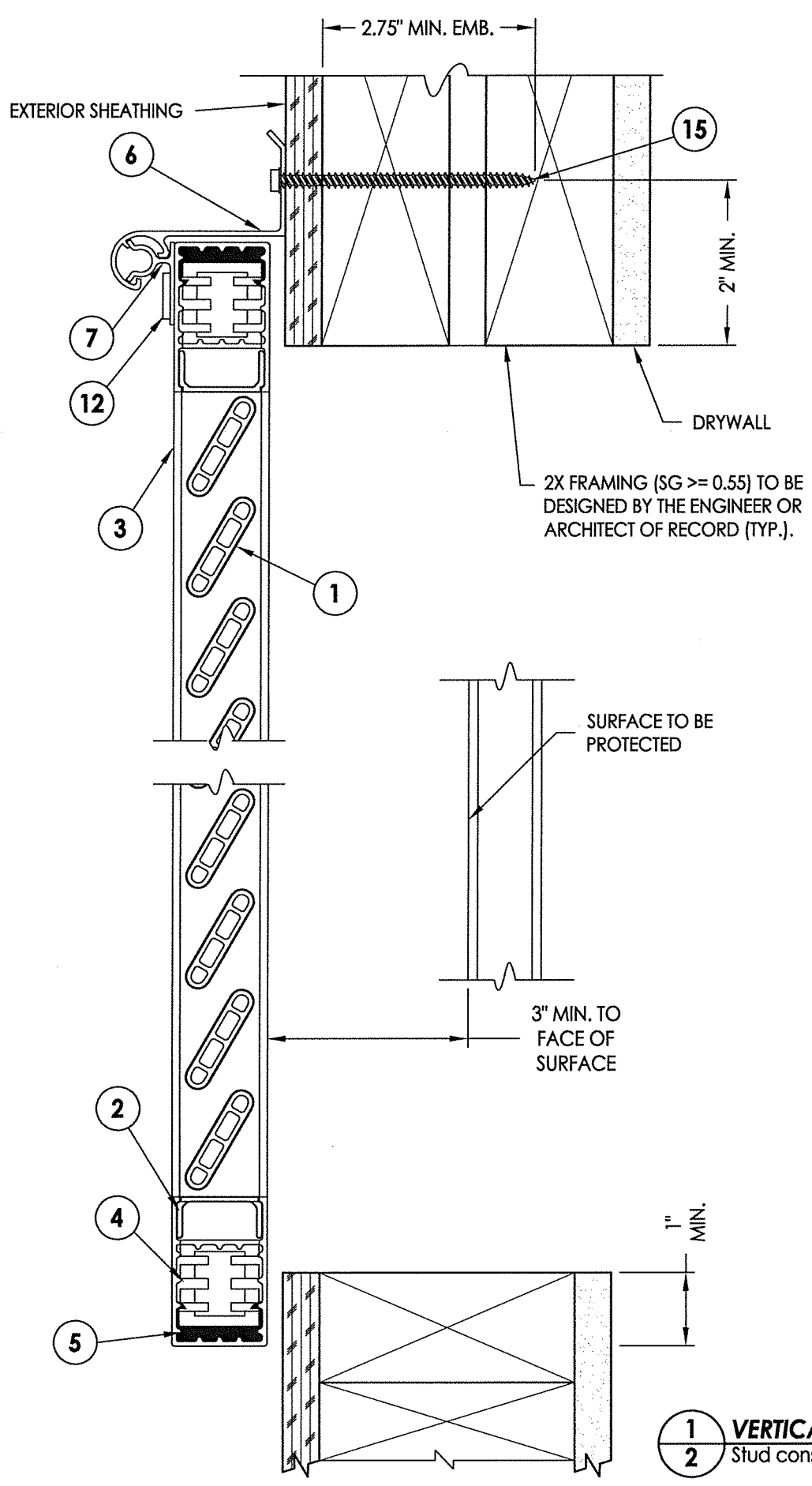




R:\Clients\Fortified (SEI)\A - Florida Product Approvals\FL-17473C - Drawings\FL-17473 (2020)\FL-17473.1.dwg, 1.2



**1 VERTICAL CROSS SECTION**  
**2** Masonry construction



**1 VERTICAL CROSS SECTION**  
**2** Stud construction

**FLORIDA**  
**PROFESSIONAL ENGINEER**  
L.F. SCHMIDT  
L.F. LICENSE  
No. 43409

October 7, 2020

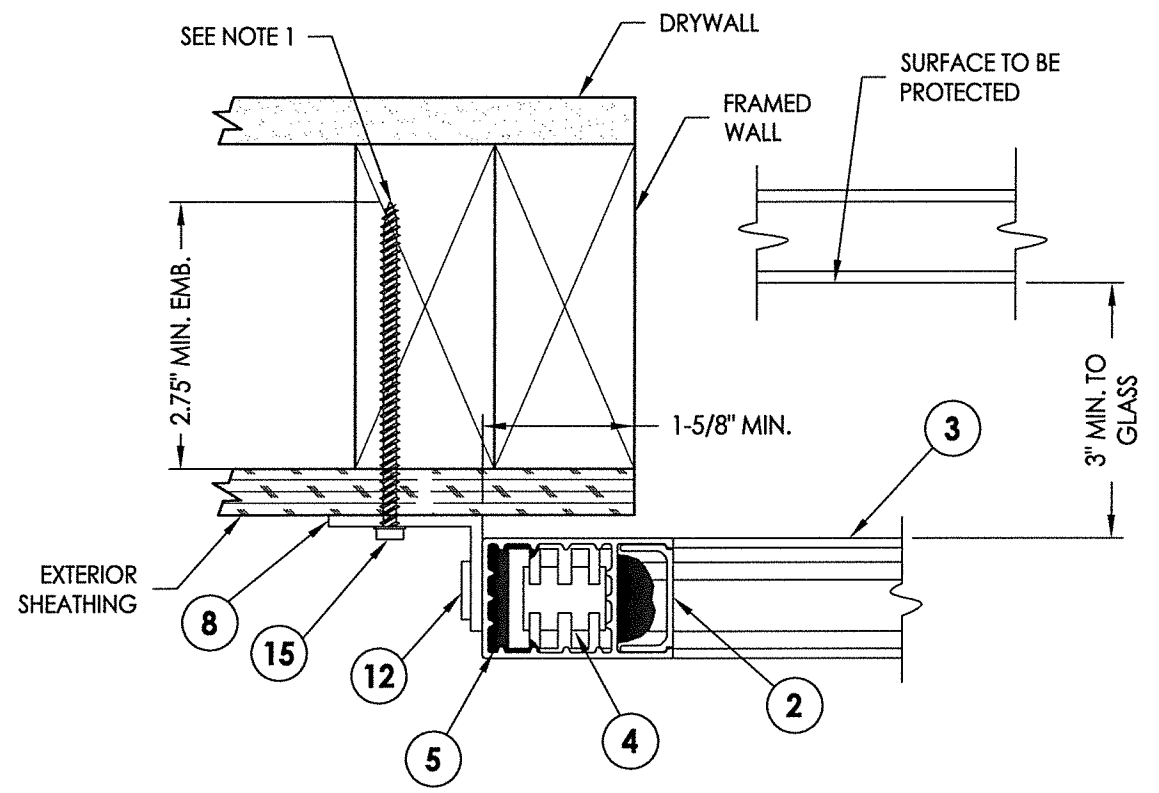
Documents Prepared By:  
Lyndon F. Schmidt  
P.E. No. 43409

**R.W.**  
BUILDING CONSULTANTS, INC.  
P.O. Box 230, Valrico, FL 33595  
Phone No.: 813.659.9197  
FBPE Registry No. 9813

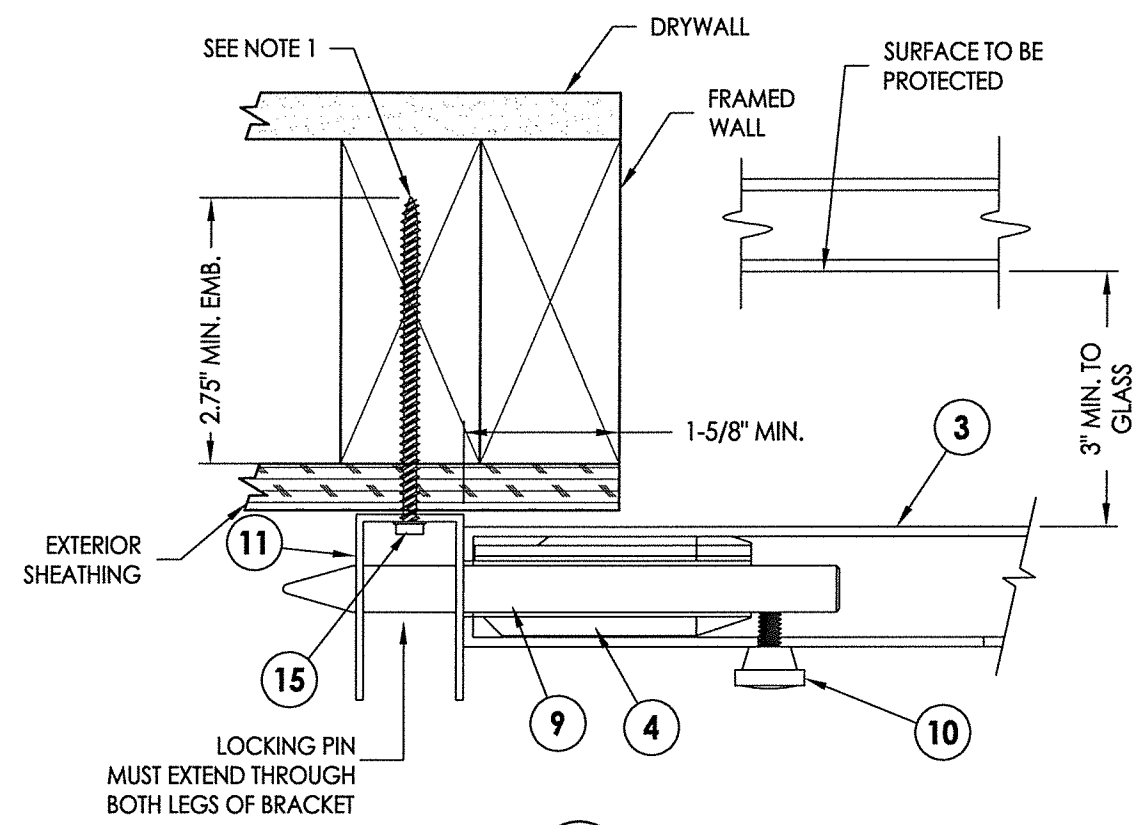
PRODUCT:	EXTRUDED ALUMINUM BAHAMA HURRICANE SHUTTER PART OR ASSEMBLY:	
DATE:	2/04/15	
SCALE:	N.T.S.	
DWG. BY:	JK	
CHK. BY:	LFS	
DRAWING NO.:	FL-17473.1	
SHEET	2 OF 6	
NO.	DATE	REVISIONS
1	10/05/20	UPDATE TO 7TH ED. (2020) FBC
LFS		BY

© 2015 R.W. BUILDING CONSULTANTS INC.

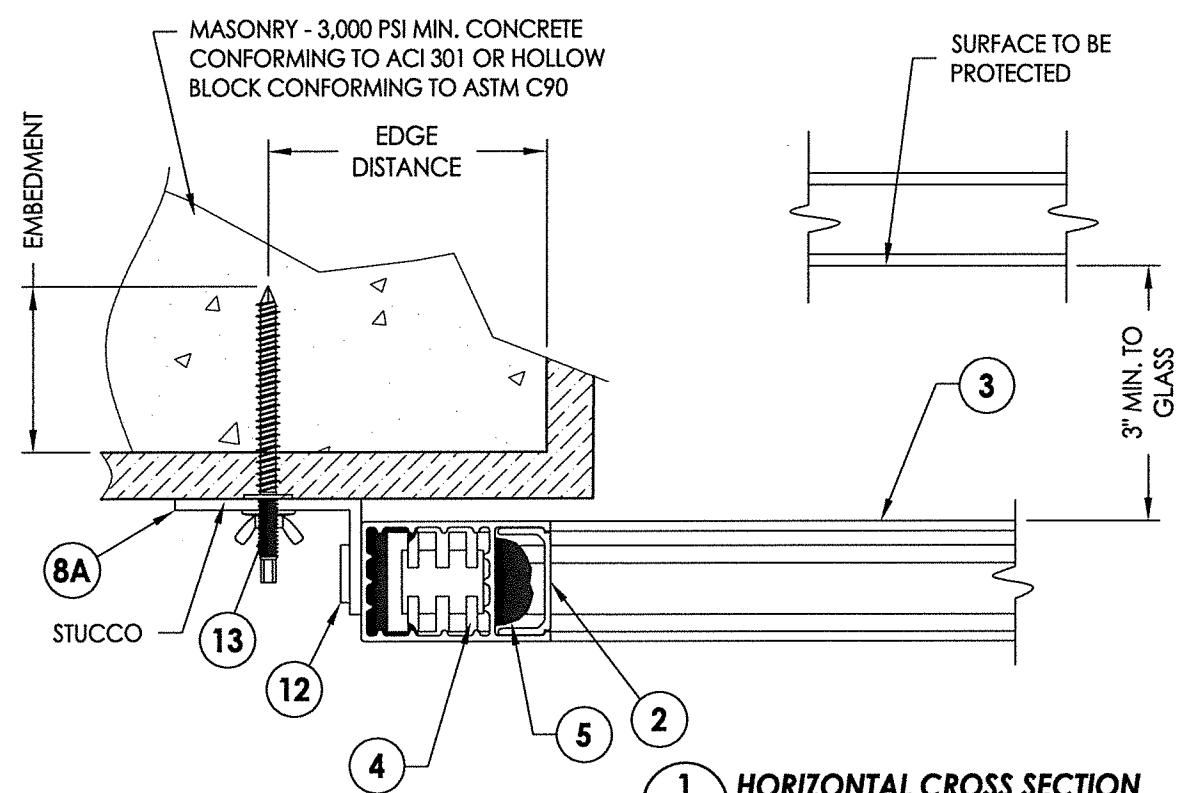
R:\Clients\Fortified (SEI)\A - Florida Product Approvals\FL-17473C - Drawings\FL-17473 (2020)\FL-17473.1.dwg, 1.3



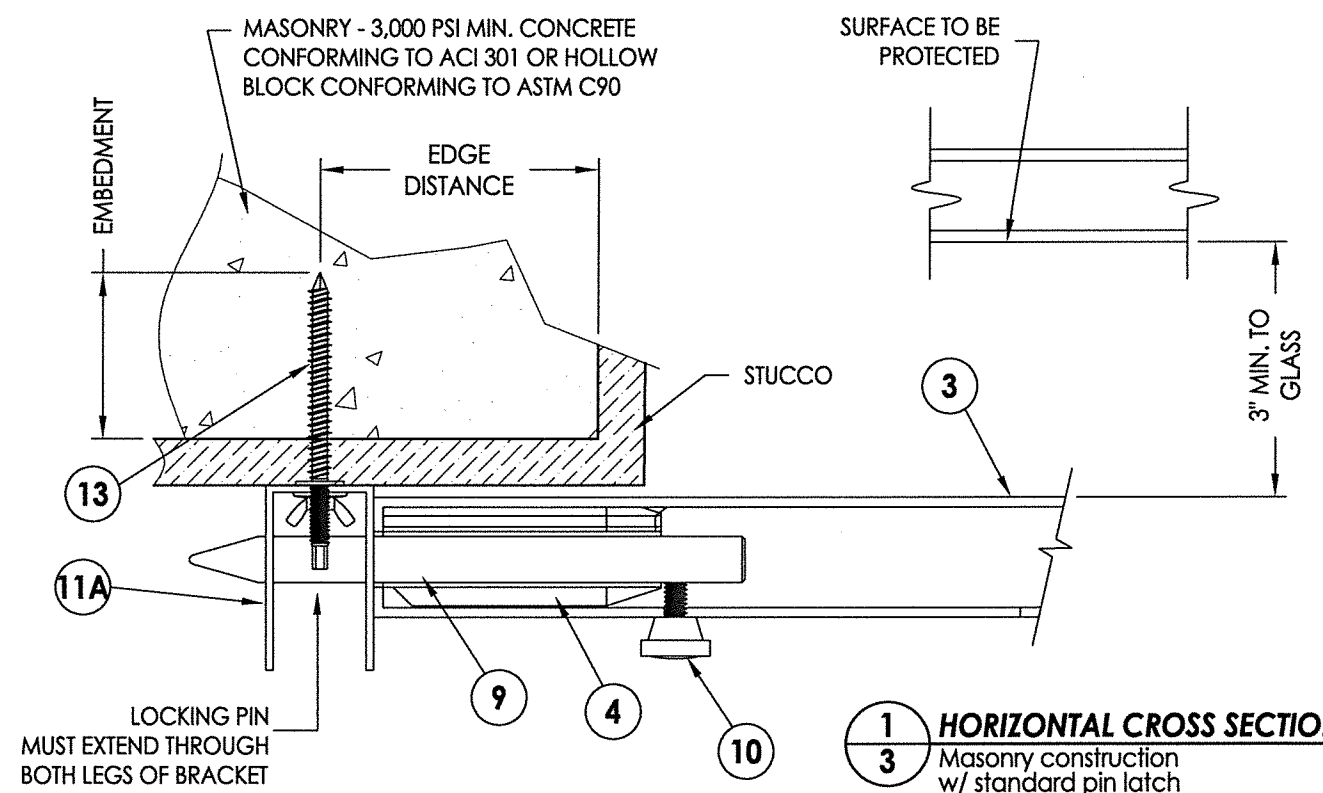
**1** HORIZONTAL CROSS SECTION  
**3** Stud construction w/ optional mounting bracket



**1** HORIZONTAL CROSS SECTION  
**3** Stud construction w/ standard pin latch

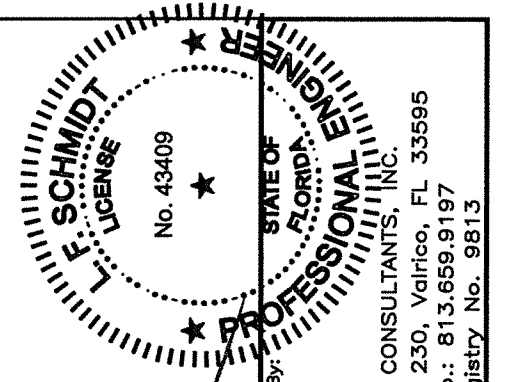


**1** HORIZONTAL CROSS SECTION  
**3** Masonry construction w/ optional mounting bracket



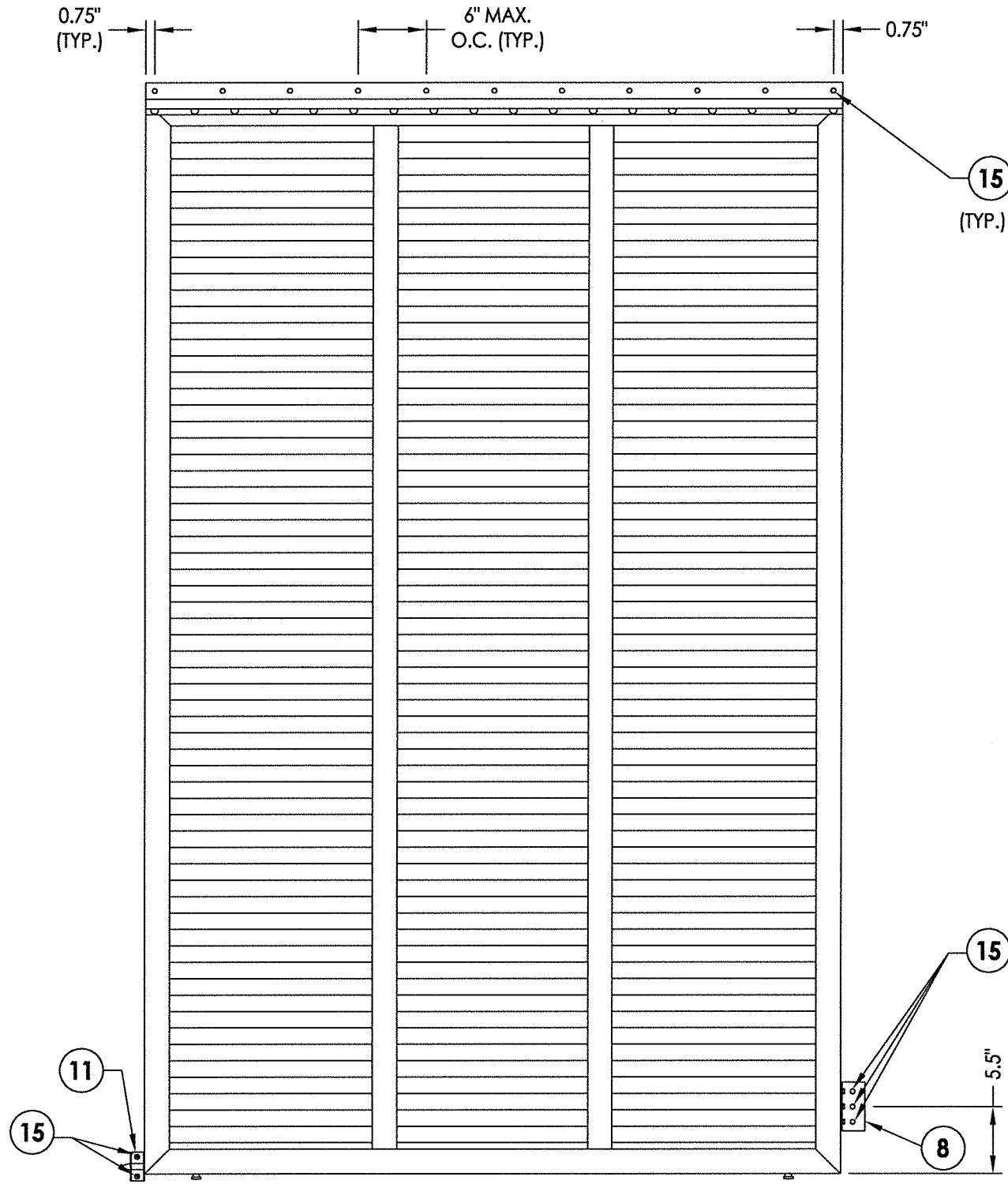
**1** HORIZONTAL CROSS SECTION  
**3** Masonry construction w/ standard pin latch

NOTE 1:  
MAINTAIN 1/2\"/>



October 7, 2020  
 Documents Prepared By:  
 Lyndon F. Schmidt  
 P.E. No. 43409  
 R.W. BUILDING CONSULTANTS, INC.  
 P.O. Box 230, Valrico, FL 33595  
 Phone No.: 813.659.9197  
 FBPE Registry No. 9813

PRODUCT:	EXTRUDED ALUMINUM BAHAMA HURRICANE SHUTTER	
PART OR ASSEMBLY:	HORIZONTAL CROSS SECTIONS MASONRY & STUD CONSTRUCTION	
DATE:	2/04/15	
SCALE:	N.T.S.	
DWG. BY:	JK	
CHK. BY:	LFS	
DRAWING NO.:	FL-17473.1	
SHEET	3 OF 6	
NO.	DATE	BY
1	10/05/20	UPDATE TO 7TH ED. (2020) FBC
REVISIONS		




THIS SIDE SHOWN ANCHORED  
WITH STANDARD PIN LATCH

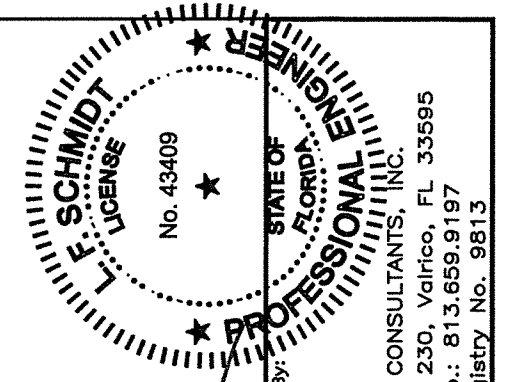
**ANCHORING  
STUD CONSTRUCTION**

THIS SIDE SHOWN ANCHORED  
WITH OPTIONAL MOUNTING BRACKET

**15 WOOD ANCHOR SCHEDULE**

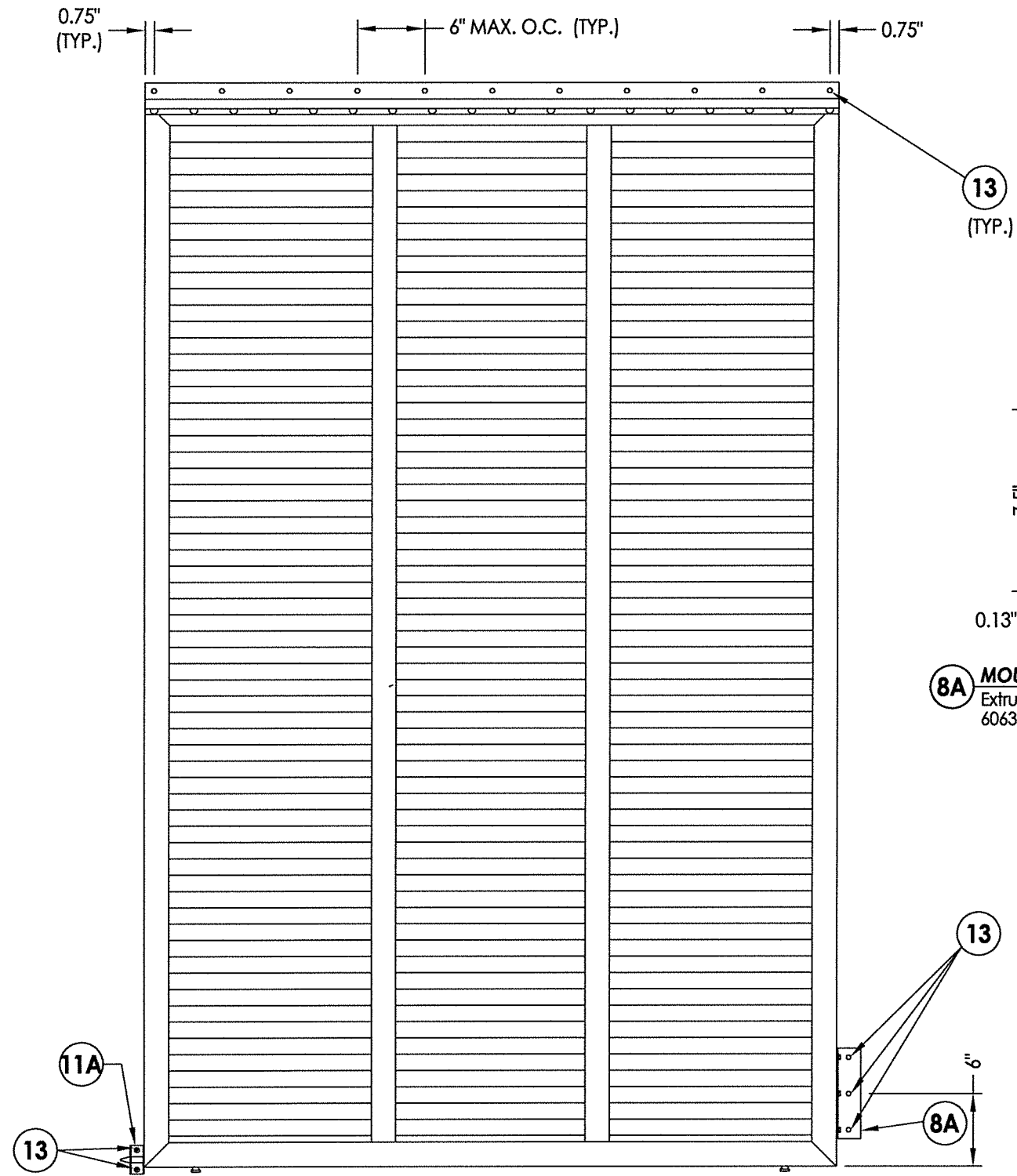
ANCHOR	
WOOD SUBSTRATE (G>=0.55)	 #14 HWH SMS EM = 2.75" CL = 1.5" ED = 0.5"

EM = MINIMUM EMBEDMENT (PENETRATION)  
 CL = MINIMUM CENTER TO CENTER ANCHOR SPACING  
 ED = MINIMUM EDGE DISTANCE



October 7, 2020  
 Documents Prepared By:  
 Lyndon F. Schmidt  
 P.E. No. 43409  
 R.W. BUILDING CONSULTANTS, INC.  
 P.O. Box 230, Valrico, FL 33595  
 Phone No.: 813.659.9197  
 FBPE Registry No. 9813

PRODUCT:		EXTRUDED ALUMINUM BAHAMA HURRICANE SHUTTER	
PART OR ASSEMBLY:		ANCHORING LOCATIONS STUD INSTALLATION	
NO.	DATE	BY	REVISIONS
1	10/05/20	LFS	UPDATE TO 7TH ED. (2020) FBC
DATE: 2/04/15		SCALE: N.T.S.	
DWG. BY: JK		CHK. BY: LFS	
DRAWING NO.: FL-17473.1		SHEET 4 OF 6	



13  
(TYP.)

8A **MOUNTING BRACKET - MASONRY**  
Extruded aluminum  
6063-T6

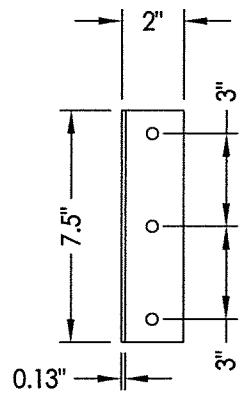
13

8A

THIS SIDE SHOWN ANCHORED  
WITH STANDARD PIN LATCH  
(STANDARD LATCH PIN CAN BE USED ON  
MASONRY INSTALLATIONS WHERE THE  
DP REQUIREMENT IS DP <= 55 PSF)

**ANCHORING  
MASONRY CONSTRUCTION**

THIS SIDE SHOWN ANCHORED  
WITH OPTIONAL MOUNTING BRACKET  
FOR MASONRY

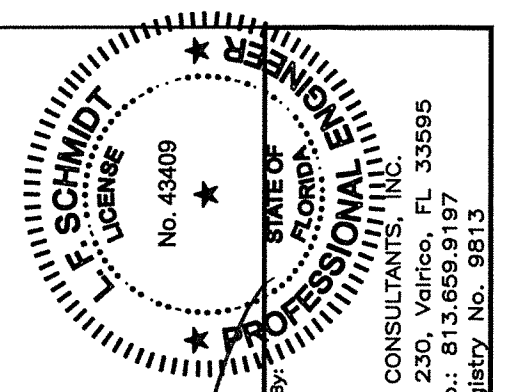


**13 MASONRY ANCHOR SCHEDULE**

ANCHOR	
	1/4" TAPCON SG EM = 1.75" CL = 3" ED = 1.25" (3,295 PSI MIN. CONC.)
	1/4" ITW RED HEAD DYNABOLT SLEEVE ANCHOR EM = 1.125" CL = 3" ED = 1.5" (3000 PSI MIN. CONC.)
	1/4" ALL POINTS SOLID-SET ANCHOR EM = 0.875" CL = 3" ED = 2" (3,000 PSI MIN. CONC.)
	1/4" ITW TAPCON EM = 1.75" CL = 3" ED = 4" (3,000 PSI MIN. CONC.)

ANCHOR	
	1/4" ITW RED HEAD DYNABOLT SLEEVE ANCHOR EM = 1.125" CL = 6" ED = 1.5" <b>HEAD ONLY</b>
	1/4" ALL POINTS SOLID-SET ANCHOR EM = 0.875" CL = 3" ED = 2"

EM = MINIMUM EMBEDMENT (PENETRATION)  
CL = MINIMUM CENTER TO CENTER ANCHOR SPACING  
ED = MINIMUM EDGE DISTANCE

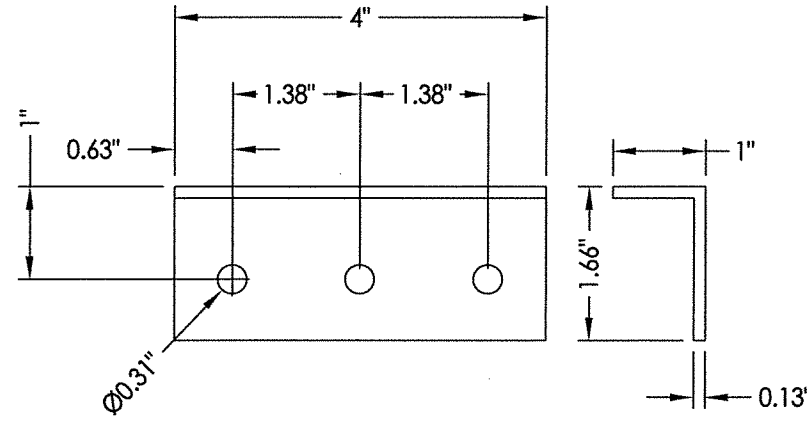


October 7, 2020  
Documents Prepared By:  
Lyndon F. Schmidt  
P.E. No. 43409  
*RW*  
BUILDING CONSULTANTS, INC.  
P.O. Box 230, Vairico, FL 33595  
Phone No.: 813.659.9197  
FBPE Registry No. 9813

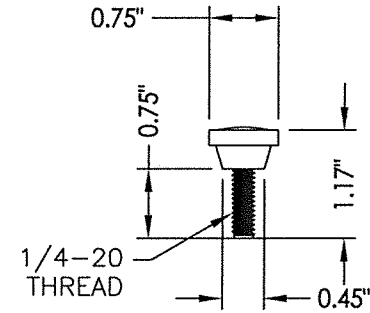
PRODUCT:		EXTRUDED ALUMINUM BAHAMA HURRICANE SHUTTER	
PART OR ASSEMBLY:		ANCHORING LOCATIONS MASONRY INSTALLATION	
NO.	DATE	BY	REVISIONS
1	10/05/20	FBC	UPDATE TO 7TH ED. (2020) FBC
DATE:		2/04/15	
SCALE:		N.T.S.	
DWG. BY:		JK	
CHK. BY:		LFS	
DRAWING NO.:		FL-17473.1	
SHEET		5 OF 6	

R:\Clients\Fortified (SEI)\VA - Florida Product Approvals\FL-17473\C - Drawings\FL-17473 (2020)\FL-17473.1.dwg, 1.6

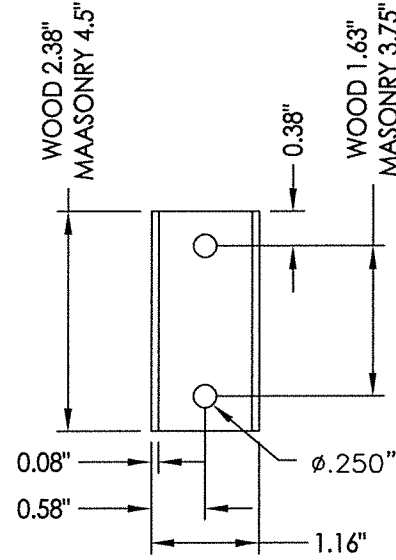
BILL OF MATERIALS		
1	LOUVER 6063-T6 0.060"	ALUM.
2	LOUVER/INSERT 6063-T6 0.060"	ALUM.
3	STILE/RAIL 6063-T6 0.060"	ALUM.
4	NYLON CORNER KEY	NYLON
5	STRUCTURAL ADHESIVE	-
6	FEMALE HINGE	ALUM.
7	MALE HINGE	ALUM.
8	MOUNTING BRACKET WOOD	ALUM.
8A	MOUNTING BRACKET MASONRY	ALUM.
9	LOCKING PIN	ALUM.
10	THUMB SCREW	STEEL
11	LATCH WOOD	ALUM.
11A	LATCH MASONRY	ALUM.
12	3/16" DIA. POP RIVET	ALUM.
13	ANCHOR - SEE MASONRY ANCHOR SCHEDULE	STEEL
14	VERTICAL SUPPORT SLAT	ALUM.



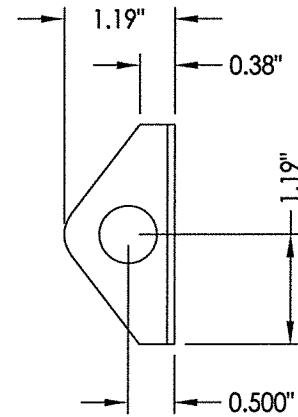
8 MOUNTING BRACKET - WOOD  
EXTRUDED ALUMINUM  
6063-T6



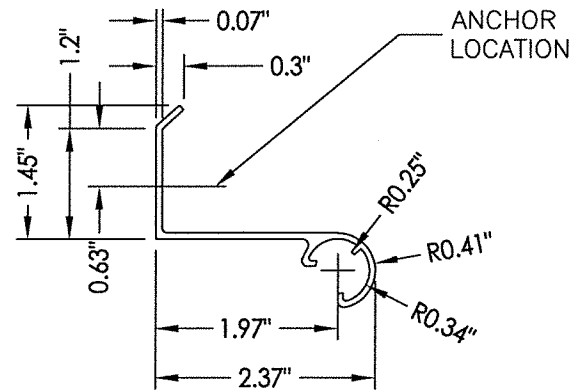
10 THUMB SCREW  
STEEL



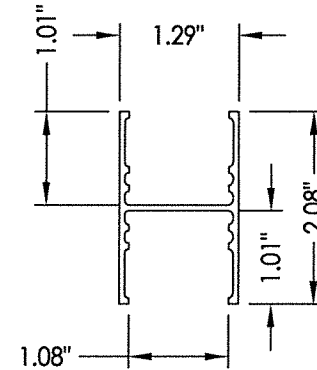
11 LATCH WOOD  
ALUMINUM 6063-T6



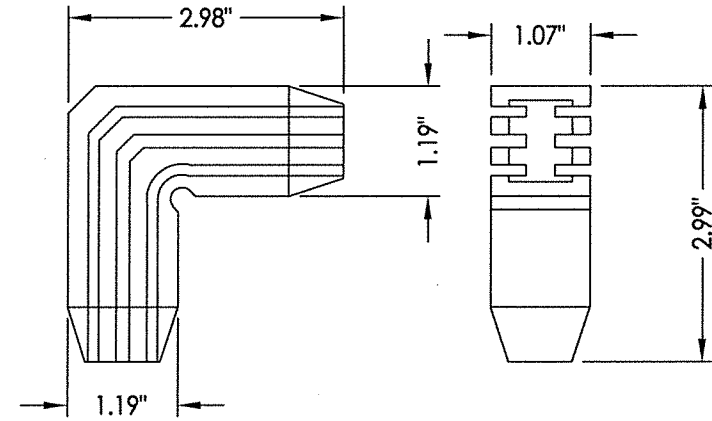
11A LATCH MASONRY  
ALUMINUM 6063-T6



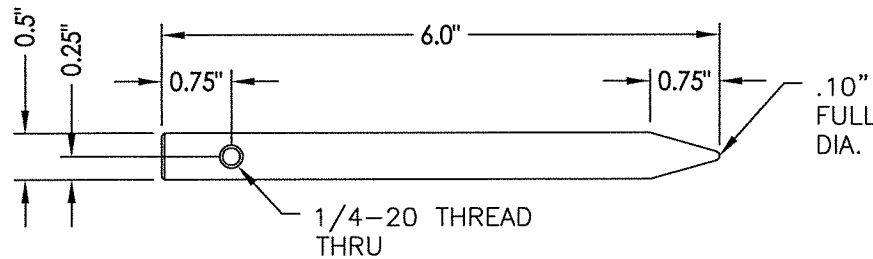
6 FEMALE HINGE  
EXTRUDED ALUMINUM  
6063-T6



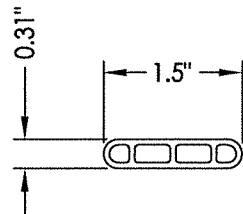
14 VERTICAL SUPPORT SLAT  
ALUMINUM 6063-T6



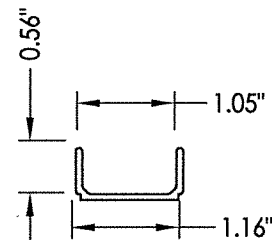
4 NYLON CORNER KEY



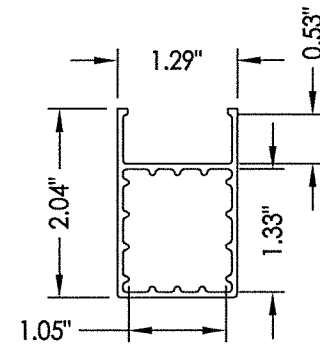
9 LOCKING PIN  
ALUMINUM 6063-T6



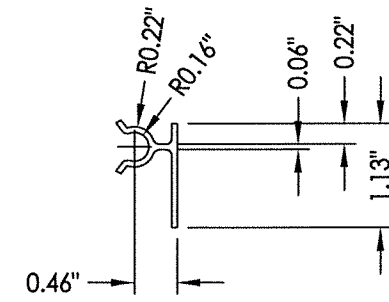
1 LOUVER  
EXTRUDED ALUMINUM  
6063-T6  
0.060" TYP. WALL THK.



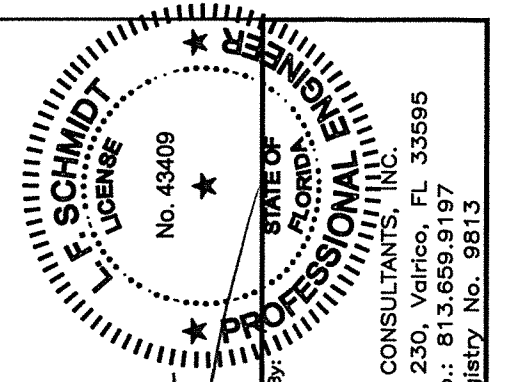
2 LOUVER/INSERT  
EXTRUDED 6063-T6  
0.060" TYP. WALL THK.



3 STILE/RAIL  
EXTRUDED ALUMINUM  
6063-T6  
0.060" TYP. WALL THK.



7 MALE HINGE  
EXTRUDED ALUMINUM  
6063-T6



October 7, 2020

Documents Prepared By:  
Lyndon F. Schmidt  
P.E. No. 43409

RW

BUILDING CONSULTANTS, INC.  
P.O. Box 230, Valrico, FL 33595  
Phone No.: 813.659.9197  
FBPE Registry No. 9813

PRODUCT:  
EXTRUDED ALUMINUM  
BAHAMA HURRICANE SHUTTER  
PART OR ASSEMBLY:  
BILL OF MATERIALS  
& COMPONENTS

NO.	DATE	REVISIONS	LFS	BY
1	10/05/20	UPDATE TO 7TH ED. (2020)	FBC	

DATE: 2/04/15  
SCALE: N.T.S.  
DWG. BY: JK  
CHK. BY: LFS  
DRAWING NO.: FL-17473.1  
SHEET 6 OF 6

© 2015 R.W. BUILDING CONSULTANTS INC.