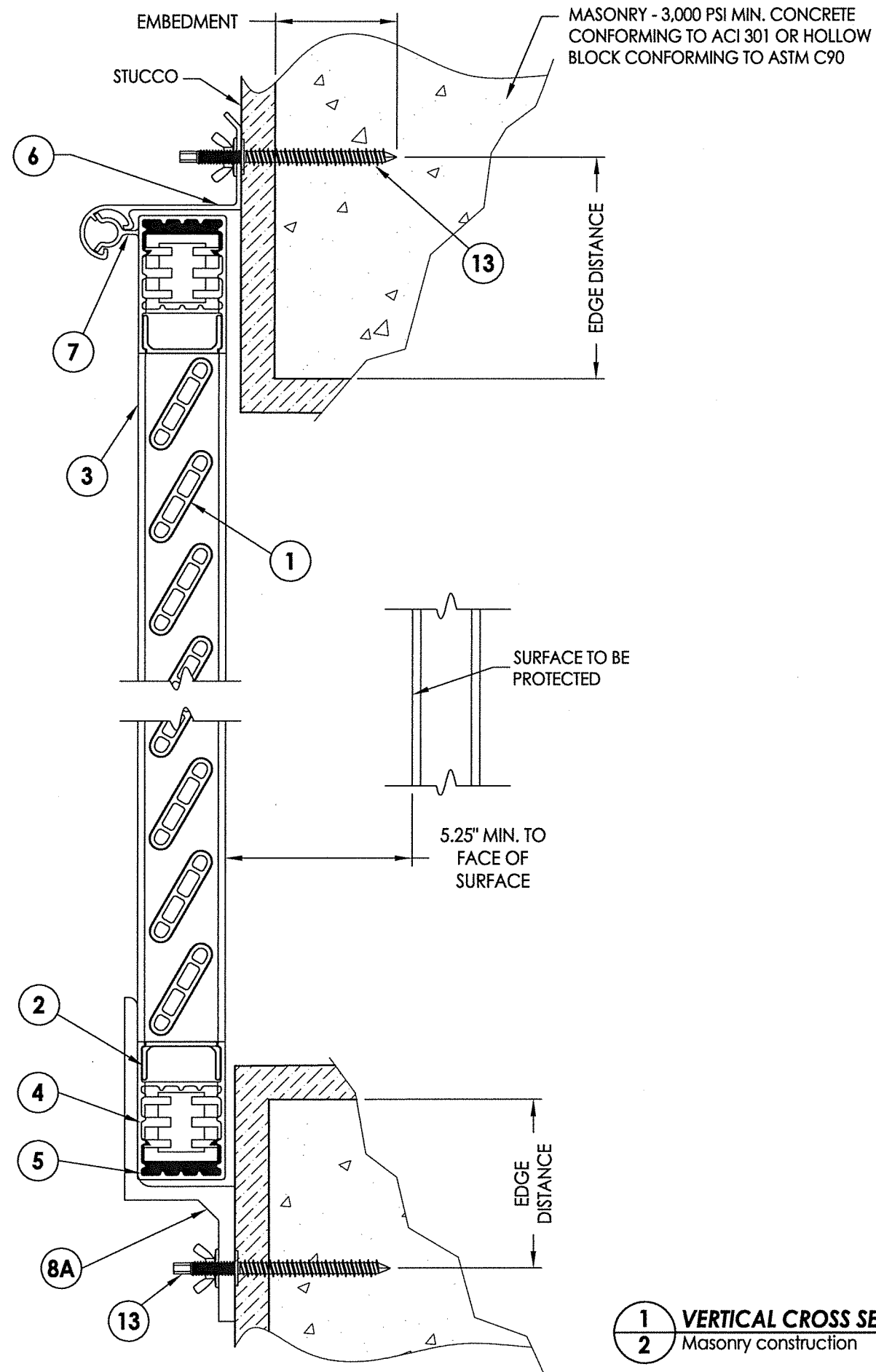
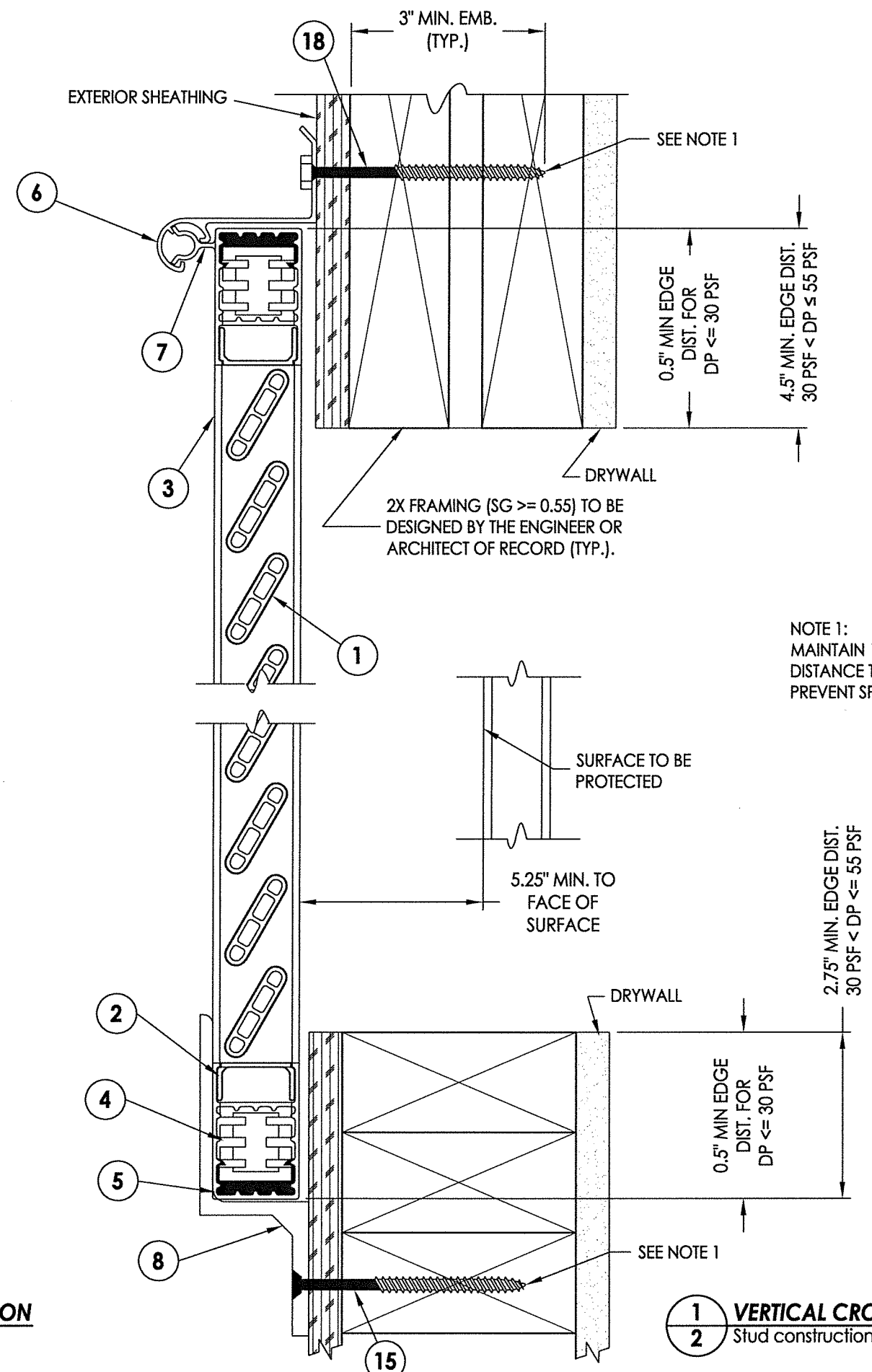


R:\Clients\Fortified (SEI)\A - Florida Product Approvals\FL-17473C - Drawings\FL-17473 (2020)\FL-17473.2.dwg, 2.2

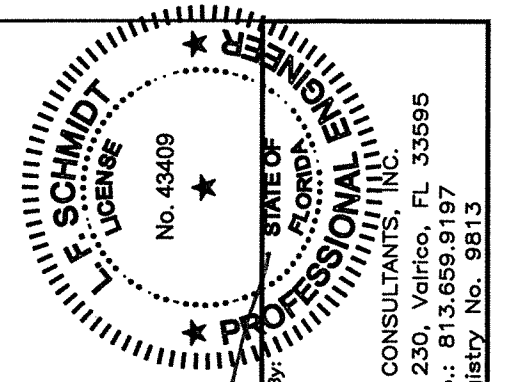


1 VERTICAL CROSS SECTION
2 Masonry construction



1 VERTICAL CROSS SECTION
2 Stud construction

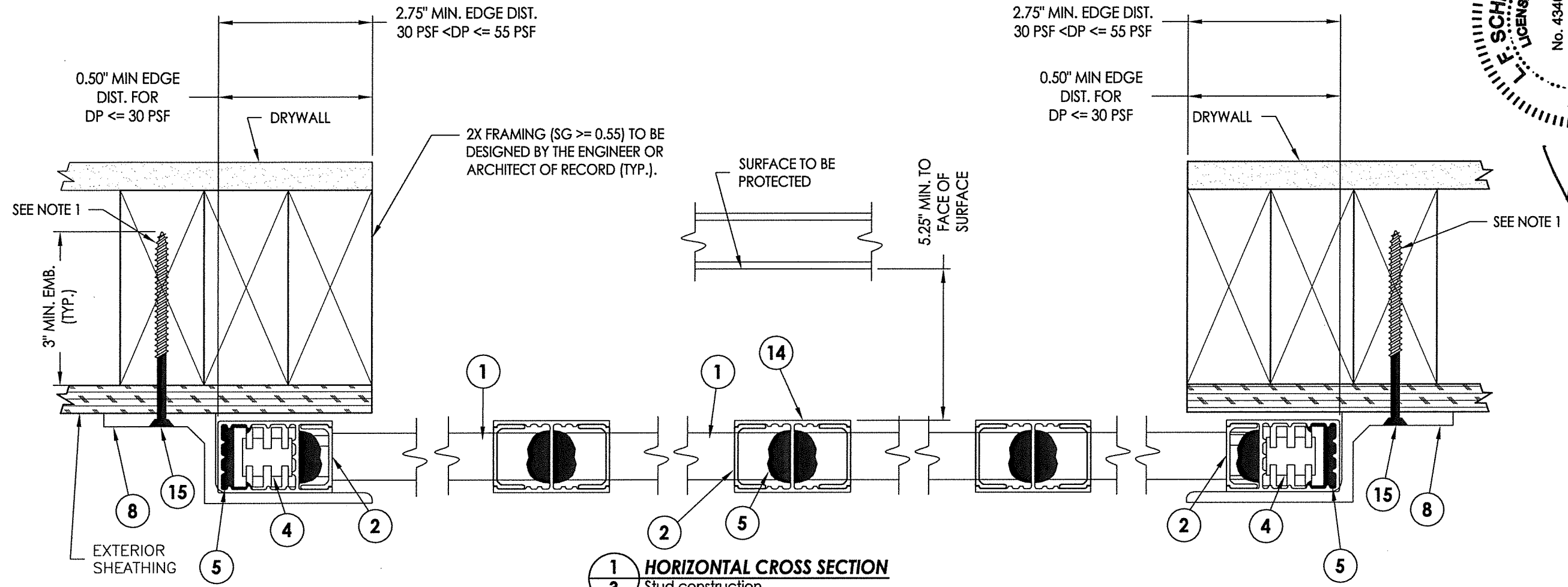
NOTE 1:
 MAINTAIN 1/2" MIN. EDGE DISTANCE TO EDGE OF STUD TO PREVENT SPLITTING OF WOOD.



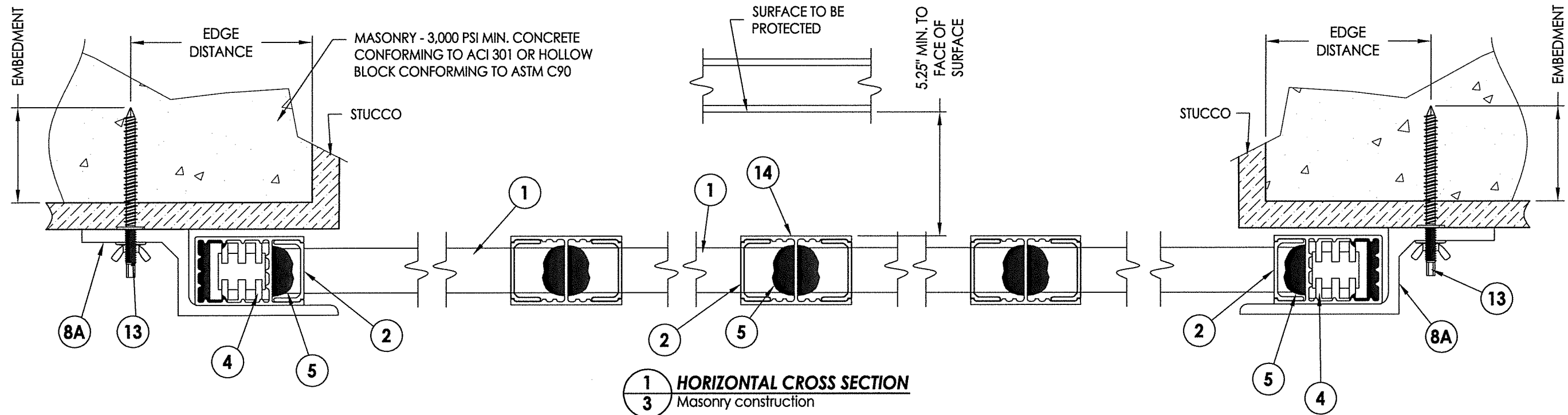
October 7, 2020
 Documents Prepared By:
 Lyndon F. Schmidt
 P.E. No. 43409
 R.W. BUILDING CONSULTANTS, INC.
 P.O. Box 230, Valrico, FL 33595
 Phone No.: 813.659.9197
 FBPE Registry No. 9813

PRODUCT:		EXTRUDED ALUMINUM BAHAMA HURRICANE SHUTTER	
PART OR ASSEMBLY:		VERTICAL CROSS SECTIONS MASONRY & STUD CONSTRUCTION	
NO.	DATE	BY	REVISIONS
1	10/05/20	LFS	UPDATE TO 7TH ED. (2020) FBC
DATE:		2/04/15	
SCALE:		N.T.S.	
DWG. BY:		JK	
CHK. BY:		LFS	
DRAWING NO.:		FL-17473.2	
SHEET		2 OF 6	

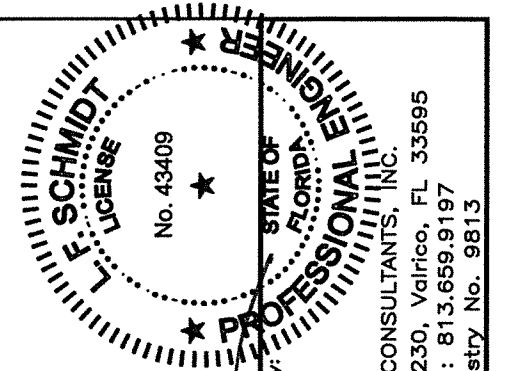
NOTE 1:
 MAINTAIN 1/2" MIN. EDGE DISTANCE TO EDGE OF STUD
 TO PREVENT SPLITTING OF WOOD.



1 HORIZONTAL CROSS SECTION
3 Stud construction



1 HORIZONTAL CROSS SECTION
3 Masonry construction

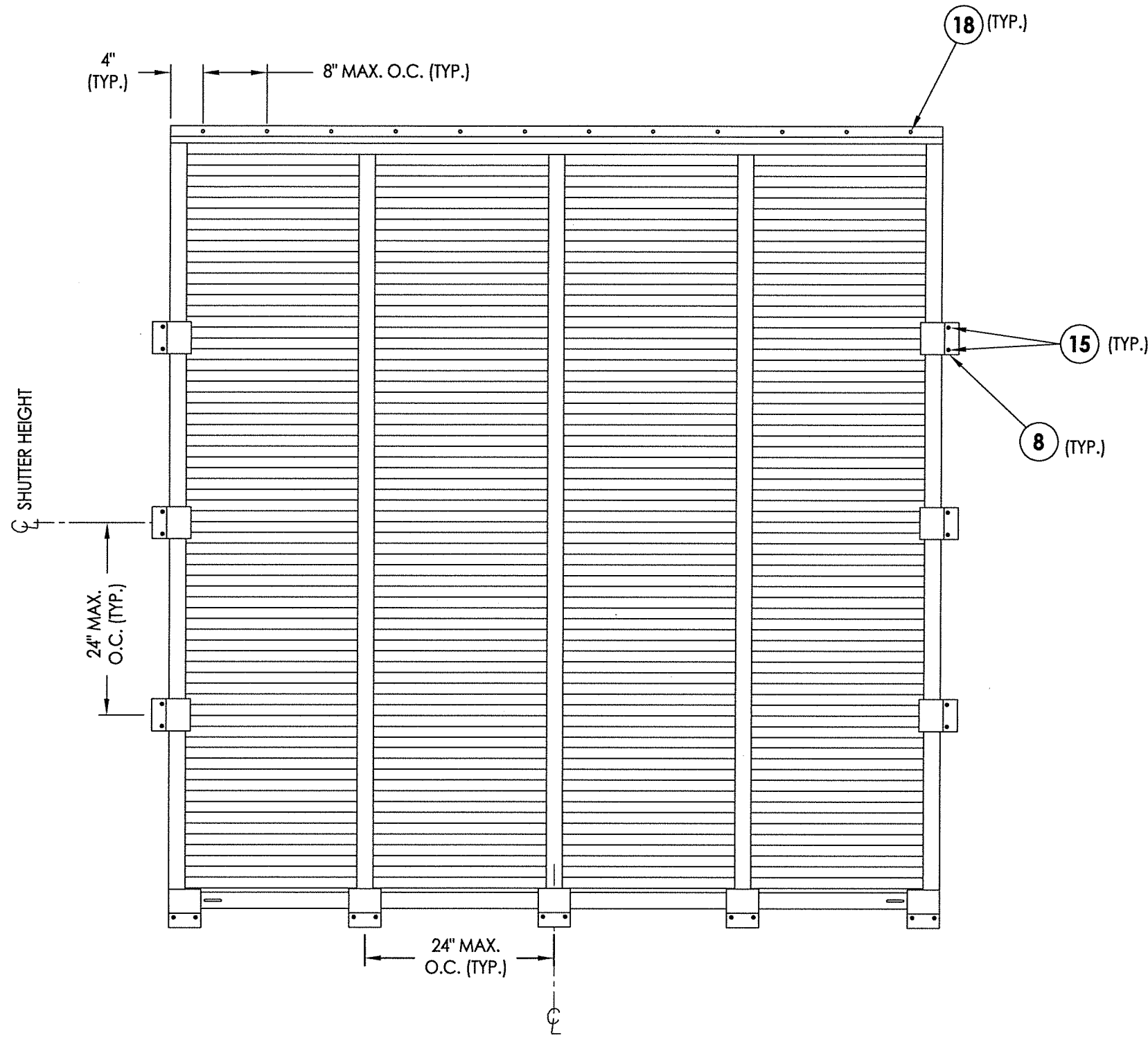


October 7, 2020
 Documents Prepared By:
 Lyndon F. Schmidt
 P.E. No. 43409
 R.W. BUILDING CONSULTANTS, INC.
 P.O. Box 230, Valrico, FL 33595
 Phone No.: 813.659.9197
 FBPE Registry No. 9813

PRODUCT:
 EXTRUDED ALUMINUM
 BAHAMA HURRICANE SHUTTER
 PART OR ASSEMBLY:
 HORIZONTAL CROSS SECTIONS
 MASONRY & STUD CONSTRUCTION

NO.	DATE	REVISIONS	LFS	BY
1	10/05/20	UPDATE TO 7TH ED. (2020) FBC		

DATE: 2/04/15
 SCALE: N.T.S.
 DWG. BY: JK
 CHK. BY: LFS
 DRAWING NO.:
 FL-17473.2
 SHEET 3 OF 6

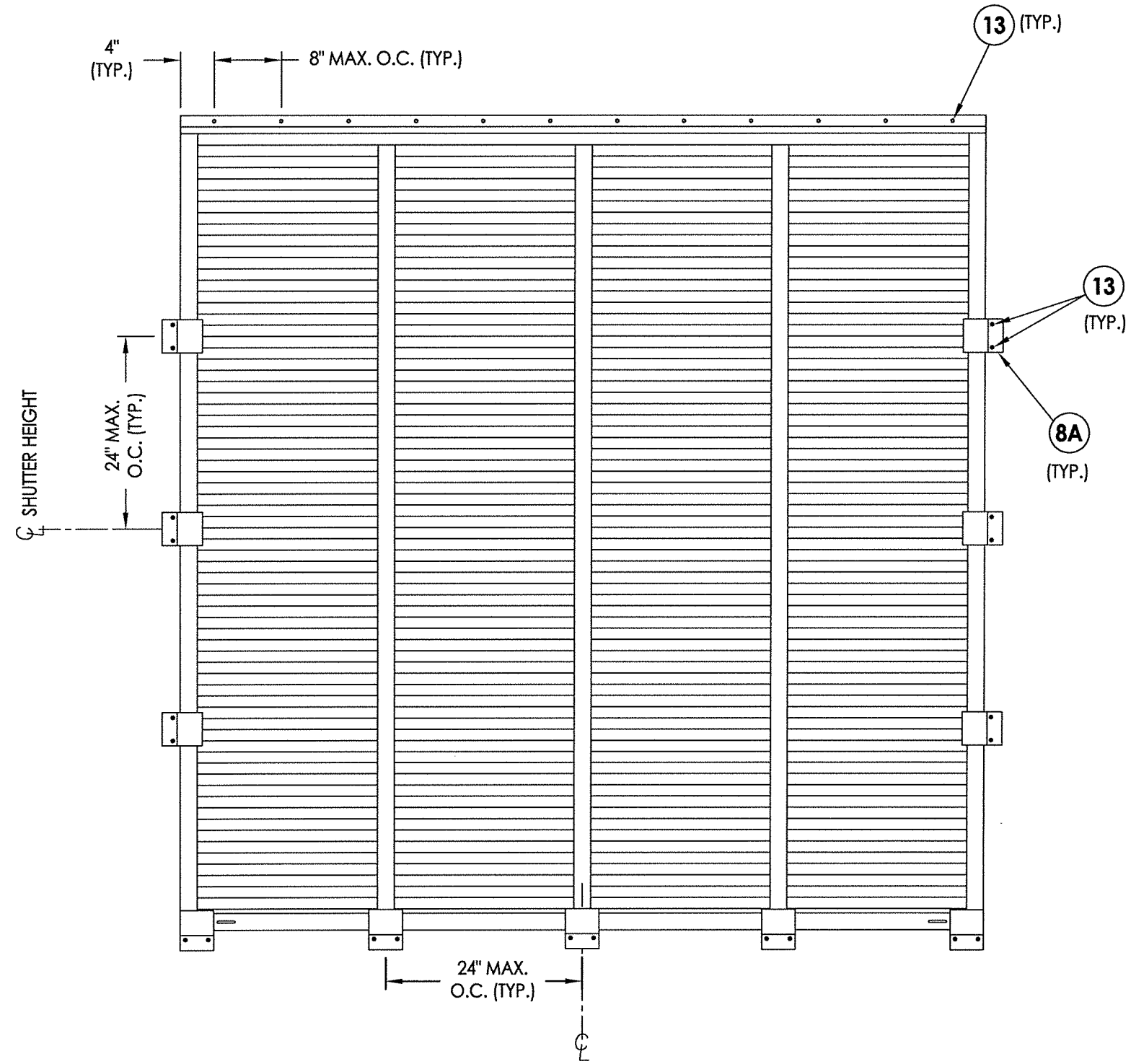


ANCHORING STUD CONSTRUCTION

Lyndon F. Schmidt
 October 7, 2020
 Documents Prepared By:
 Lyndon F. Schmidt
 P.E. No. 43409

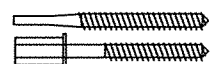

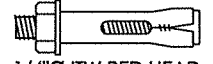
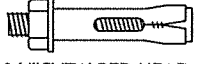
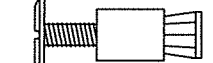
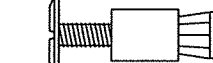
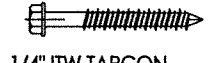
R.W.
 BUILDING CONSULTANTS, INC.
 P.O. Box 230, Valrico, FL 33595
 Phone No.: 813.659.9197
 FBPE Registry No. 9813

	PRODUCT:	EXTRUDED ALUMINUM BAHAMA HURRICANE SHUTTER
	PART OR ASSEMBLY:	ANCHORING LOCATIONS 2X STUD INSTALLATION
	NO.	DATE
1	10/05/20	UPDATE TO 7TH ED. (2020) FBC
		LFS
		BY
		REVISIONS
DATE:		2/04/15
SCALE:		N.T.S.
DWG. BY:		JK
CHK. BY:		LFS
DRAWING NO.:		FL-17473.2
SHEET		4 OF 6

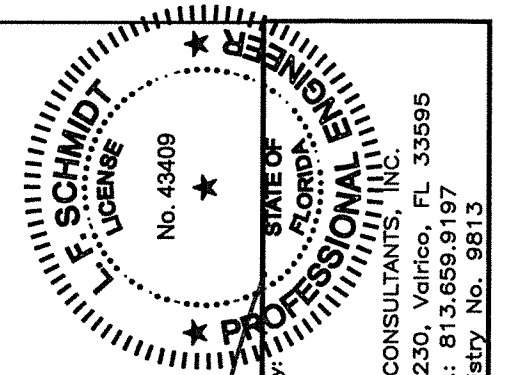


ANCHORING MASONRY CONSTRUCTION

13 MASONRY ANCHOR SCHEDULE

ANCHOR	ANCHOR
 1/4" TAPCON SG EM = 1.75" CL = 4" ED = 1.25" (3,295 PSI MIN. CONC.)	 1/4" ELCO/DeWALT PANELMATE MALE/FEMALE EM = 1.25" CL = 4" ED = 3"
 1/4" ITW RED HEAD DYNABOLT SLEEVE ANCHOR EM = 1.125" CL = 4" ED = 1.5" (3000 PSI MIN. CONC.)	 1/4" ITW RED HEAD DYNABOLT SLEEVE ANCHOR EM = 1.125" CL = 4" ED = 1.5"
 1/4" ALL POINTS SOLID-SET ANCHOR EM = 0.875" CL = 4" ED = 2" (3,000 PSI MIN. CONC.)	 1/4" ALL POINTS SOLID-SET ANCHOR EM = 0.875" CL = 4" ED = 2"
 1/4" ITW TAPCON EM = 1.75" CL = 4" ED = 4" (3,000 PSI MIN. CONC.)	

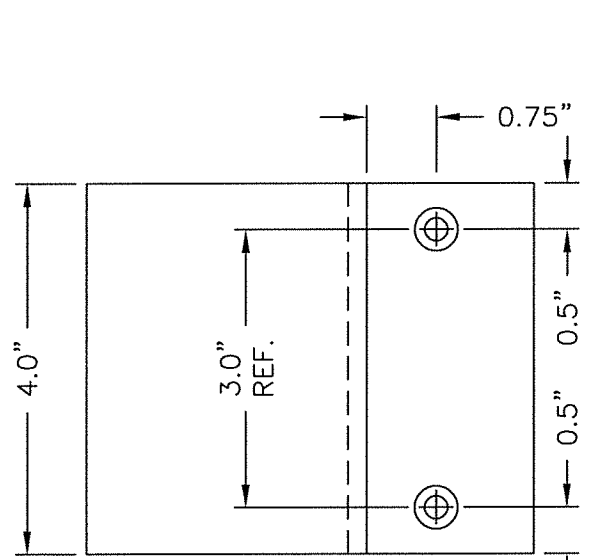
EM = MINIMUM EMBEDMENT (PENETRATION)
 CL = MINIMUM CENTER TO CENTER ANCHOR SPACING
 ED = MINIMUM EDGE DISTANCE



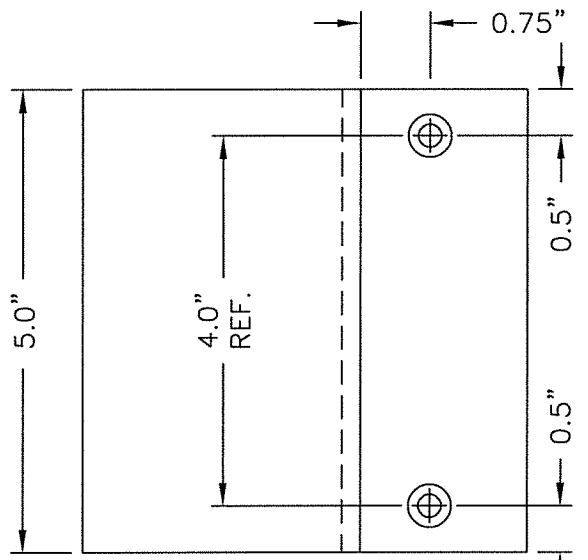
October 7, 2020
 Documents Prepared By:
 Lyndon F. Schmidt
 P.E. No. 43409
 R.W. BUILDING CONSULTANTS, INC.
 P.O. Box 230, Vairico, FL 33595
 Phone No.: 813.659.9197
 FBPE Registry No. 9813

PRODUCT:	EXTRUDED ALUMINUM BAHAMA HURRICANE SHUTTER	
PART OR ASSEMBLY:	ANCHORING LOCATIONS MASONRY INSTALLATION	
NO.	DATE	BY
1	10/05/20	LFS
UPDATE TO 7TH ED. (2020) FBC		
REVISIONS		
DATE:	2/04/15	
SCALE:	N.T.S.	
DWG. BY:	JK	
CHK. BY:	LFS	
DRAWING NO.:	FL-17473.2	
SHEET	5	OF 6

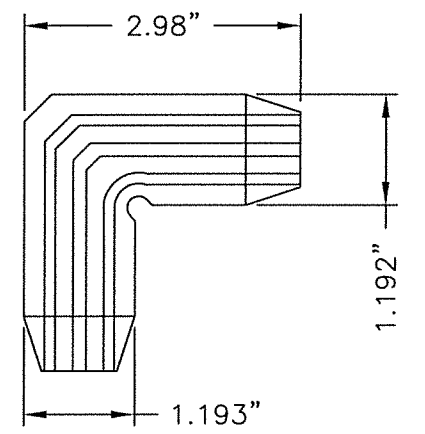
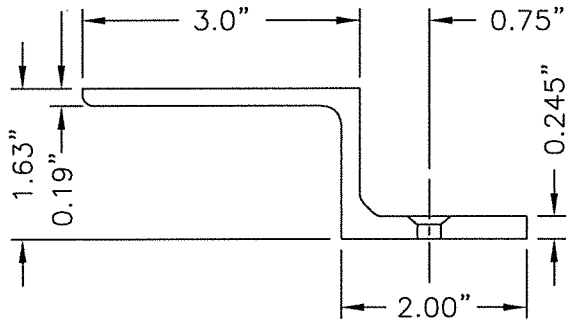
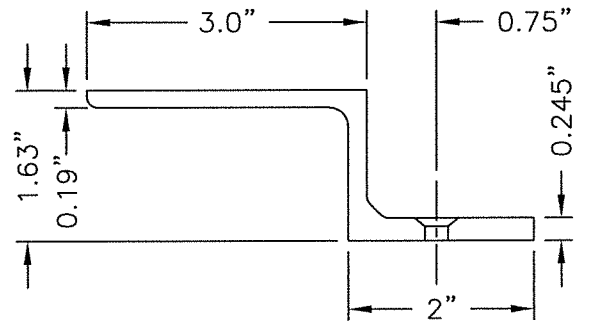
BILL OF MATERIALS		
1	LOUVER 6063-T6 0.060"	ALUM.
2	LOUVER/INSERT 6063-T6 0.060"	ALUM.
3	STILE/RAIL 6063-T6 0.060"	ALUM.
4	EXTRUDED NYLON CORNER KEY	ALUM.
5	STRUCTURAL ADHESIVE	-
6	FEMALE HINGE	ALUM.
7	MALE HINGE TOP RAIL	ALUM.
8	MOUNTING BRACKET WOOD	ALUM.
8A	MOUNTING BRACKET MASONRY	ALUM.
8B	MOUNTING BRACKET MASONRY	ALUM.
12	3/16" DIA. POP RIVET	ALUM.
13	ANCHORS - SEE MASONRY ANCHOR SCHEDULE	STEEL
14	VERTICAL SUPPORT SLAT	ALUM.
15	#14 X 3-1/2" PFH WOOD SCREW	STEEL
18	1/4" X 4" H.H. LAG SCREW	STEEL



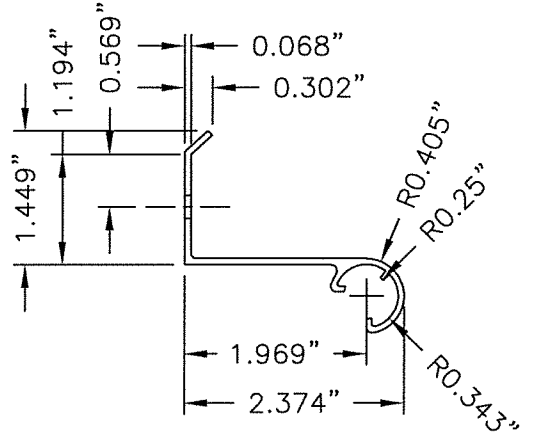
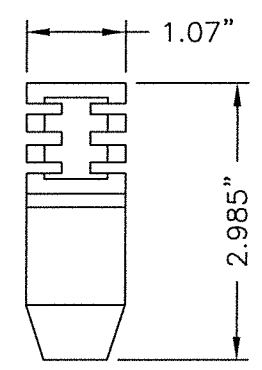
8 MOUNTING BRACKET
ALUMINUM 6063-T6
WOOD FRAME INSTALLATION



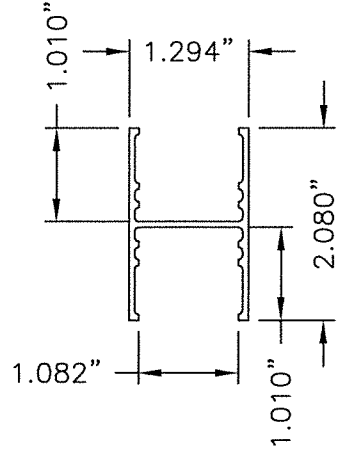
8A MOUNTING BRACKET
ALUMINUM 6063-T6
MASONRY INSTALLATION



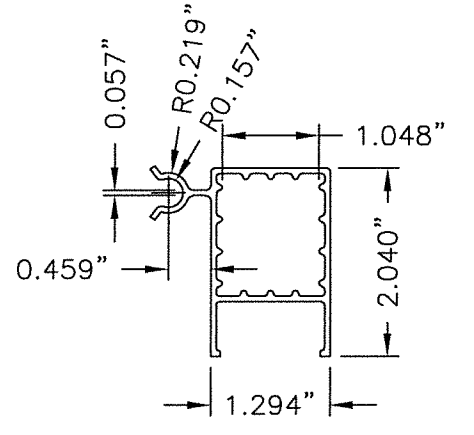
4 EXTRUDED NYLON CORNER KEY



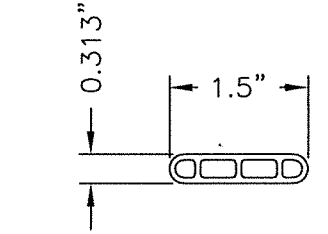
6 FEMALE HINGE
EXTRUDED ALUMINUM
6063-T6



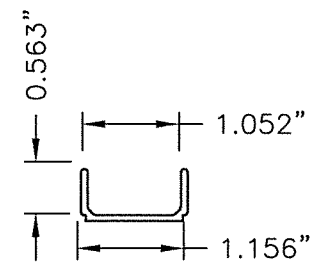
14 VERTICAL SUPPORT SLAT
ALUMINUM 6063-T6
.060" TYP. WALL THK.



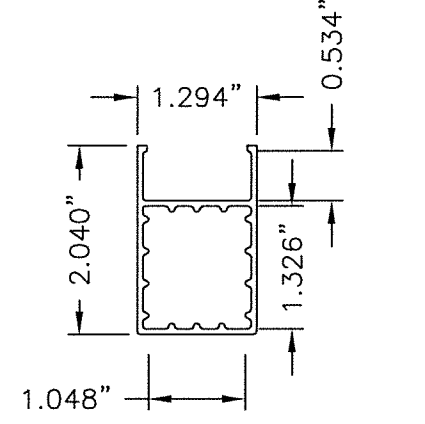
7 MALE HINGE TOP RAIL
EXTRUDED ALUMINUM
6063-T6
0.060" TYP. WALL THK.



1 LOUVER
EXTRUDED ALUMINUM
6063-T6
0.060" TYP. WALL THK.



2 LOUVER/INSERT
EXTRUDED 6063-T6
0.060" TYP. WALL THK.



3 STILE/RAIL
EXTRUDED ALUMINUM
6063-T6
0.060" TYP. WALL THK.

L.F. SCHMIDT
 LICENSE
 No. 43409
 STATE OF FLORIDA
 PROFESSIONAL ENGINEER

October 7, 2020
 Documents Prepared By:
 Lyndon F. Schmidt
 P.E. No. 43409

R.W.
 BUILDING CONSULTANTS, INC.
 P.O. Box 230, Valrico, FL 33595
 Phone No.: 813.659.9197
 FBPE Registry No. 9813

PRODUCT:		EXTRUDED ALUMINUM
PART OR ASSEMBLY:		BAHAMA HURRICANE SHUTTER
BILL OF MATERIALS & COMPONENTS		
LFS	BY	
1	10/05/20	UPDATE TO 7TH ED. (2020) FBC
NO.	DATE	
REVISIONS		
DATE:	2/04/15	
SCALE:	N.T.S.	
DWG. BY:	JK	
CHK. BY:	LFS	
DRAWING NO.:	FL-17473.2	
SHEET	6	OF 6